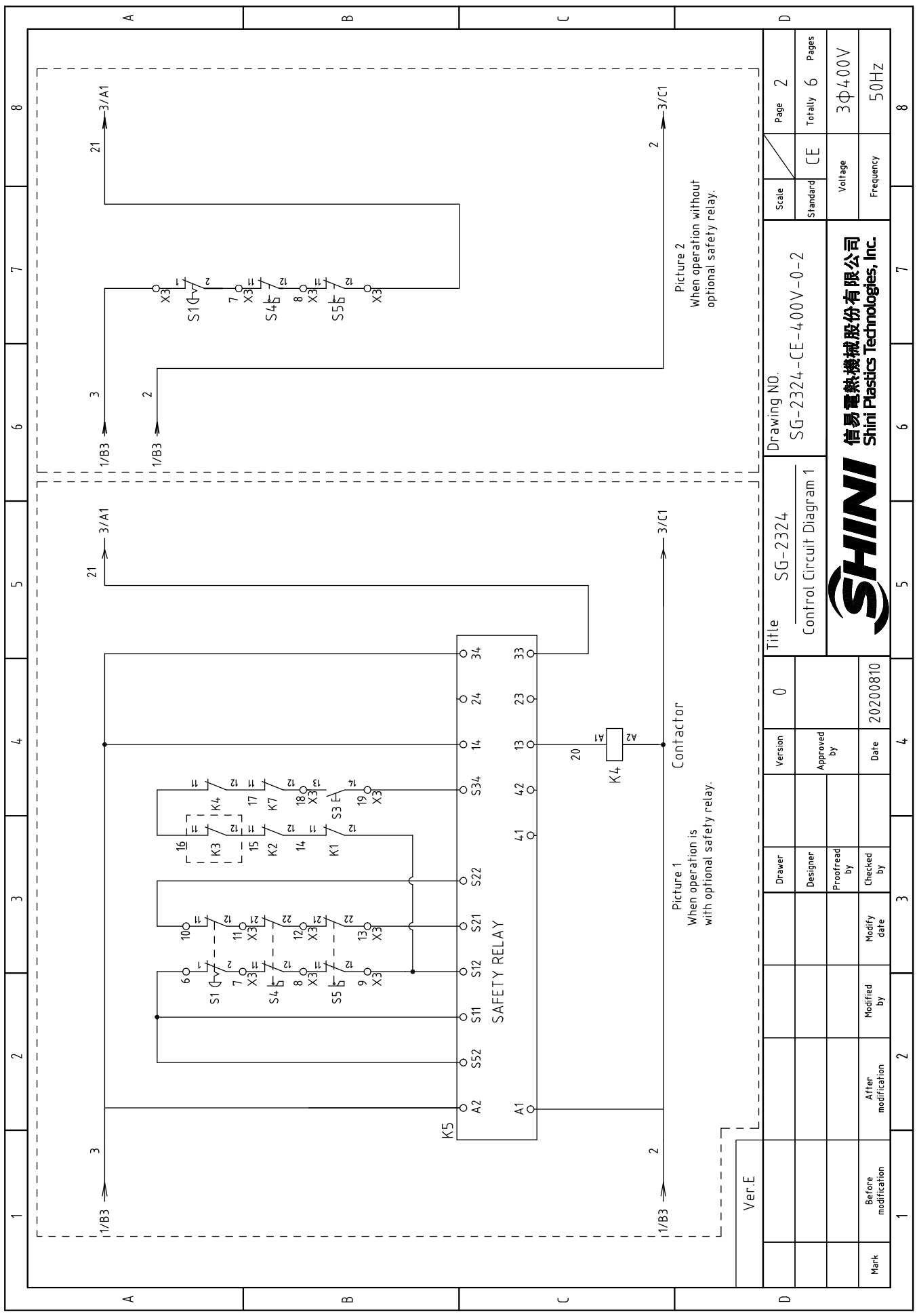


Ver.E			
Mark	Before modification	Modified by	Modify date
		Checked by	Date
		Proofread by	20200810
	Designer	Approved by	
	Drawer	Version	0
Title		SG-2324	
Drawing NO.		SG-2324-CE-400V-0-1	
Scale	Standard	Page	Totally
	CE	1	6
Voltage	Frequency	Pages	
3Φ400V	50HZ	3Φ400V	





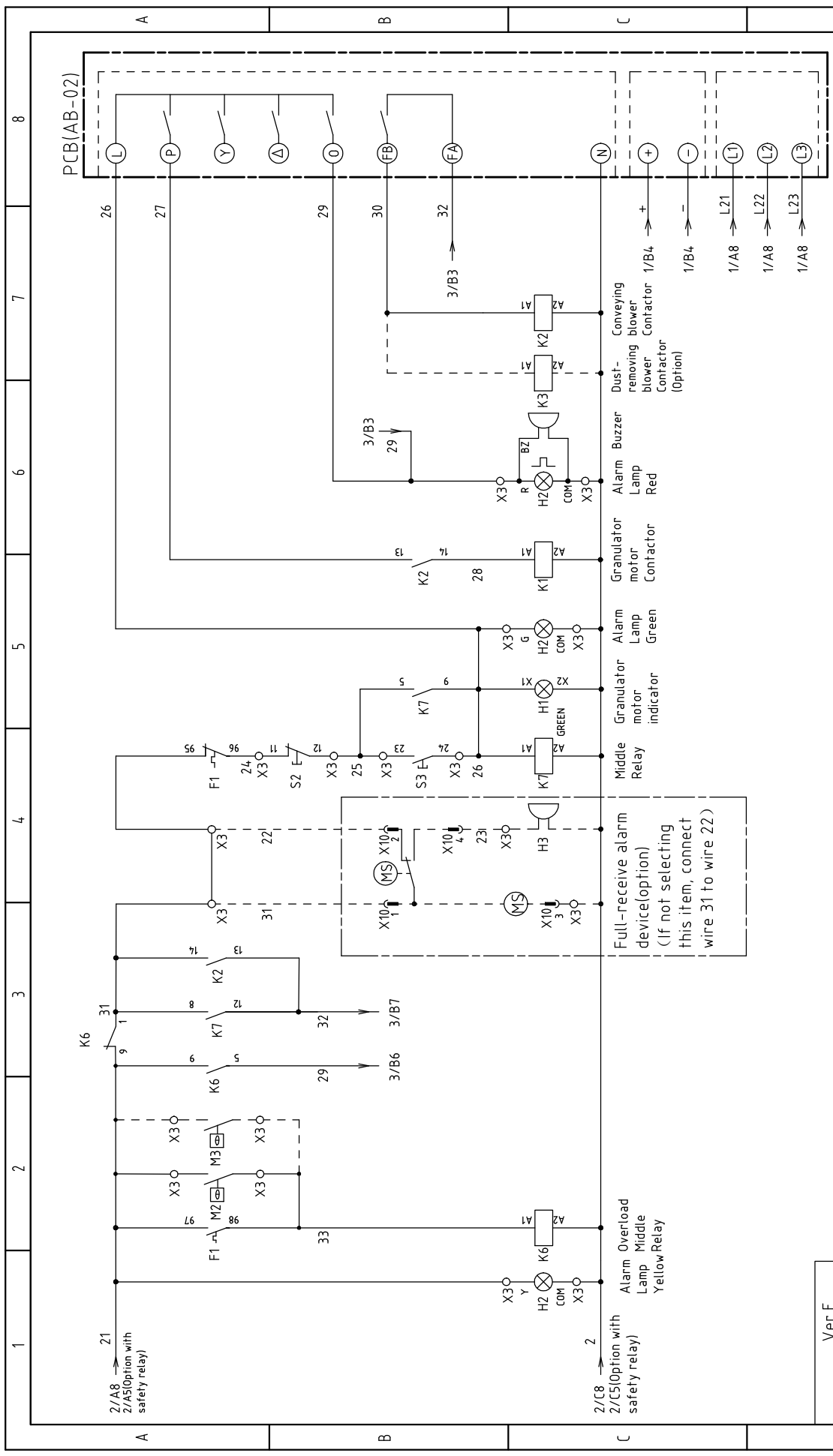
Picture 1
When operation is
with optional safety relay.

Picture 2
When operation without
optional safety relay.

Ver.E							
Mark	Before modification	After modification	Modified by	Modify date	Checked by	Proofread by	Designer
				20200810			
				Date	Approved by		
				Version	0		
				Title	SG-2324		

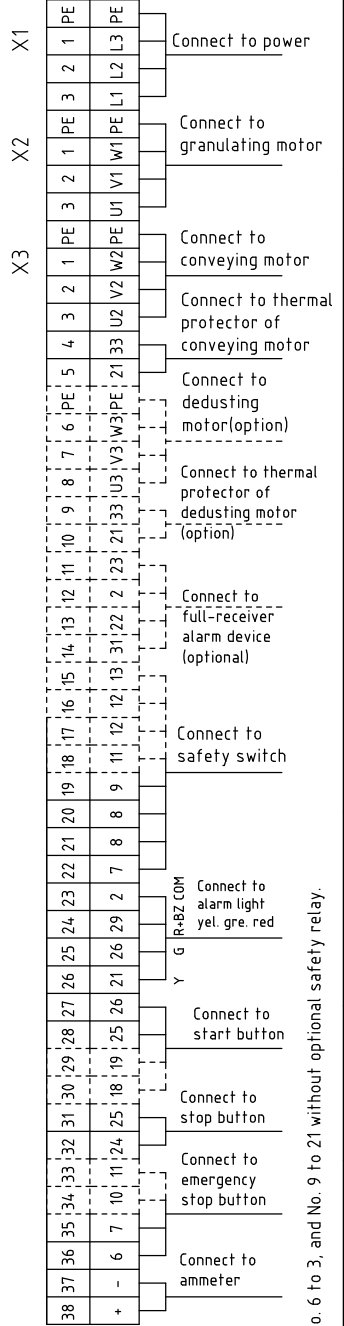
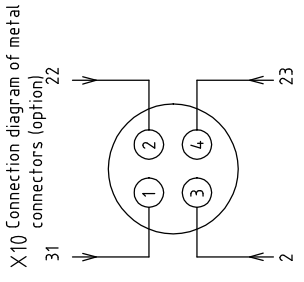
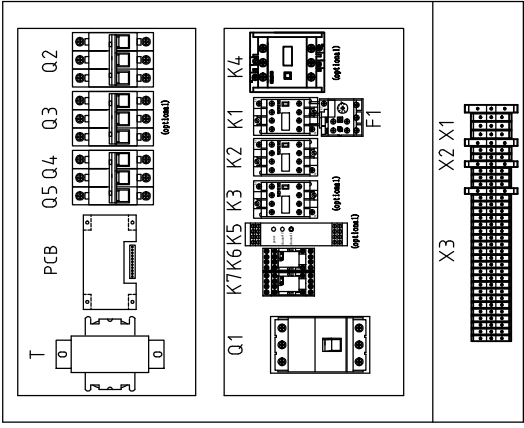
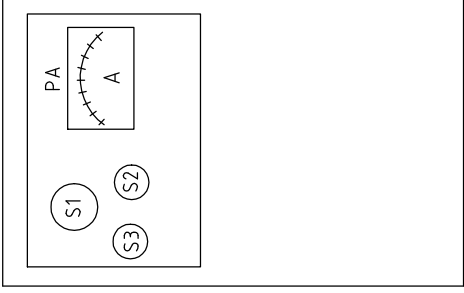
Drawing NO.		SG-2324-CE-400V-0-2	
Scale		CE	
Standard		Voltage	
Page 2		Frequency	
Totally 6		3Φ400V	
Pages		50HZ	


SHINI
信易電熱機械股份有限公司
Shini Plastics Technologies, Inc.



Ver.E	Title			Drawing NO.		Scale	Page
	Control Circuit Diagram 2			SG-2324-CE-400V-0-3		Standard	Totally 6
Mark	Before modification	Modified by	Modified date	Date	20200810	Voltage	Pages
	After modification	Checked by	Approved by				
1	2	3	4	5	6	7	8





Ver. E	Notes: Change terminal No. 6 to 3, and No. 9 to 21 without optional safety relay.			Scale	Page 4
	Version	0	Standard	CE	Totally 6 Pages
	Approved by		Drawing No. SG-2324-CE-400V-0-4		3Φ400V
	Proofread by		Title SG-2324 Electrical Components Layout		Frequency 50HZ
	Checked by	20200810	 信易電熱機械股份有限公司 Shini Plastics Technologies, Inc.		
Mark	Modified by	Modified date			

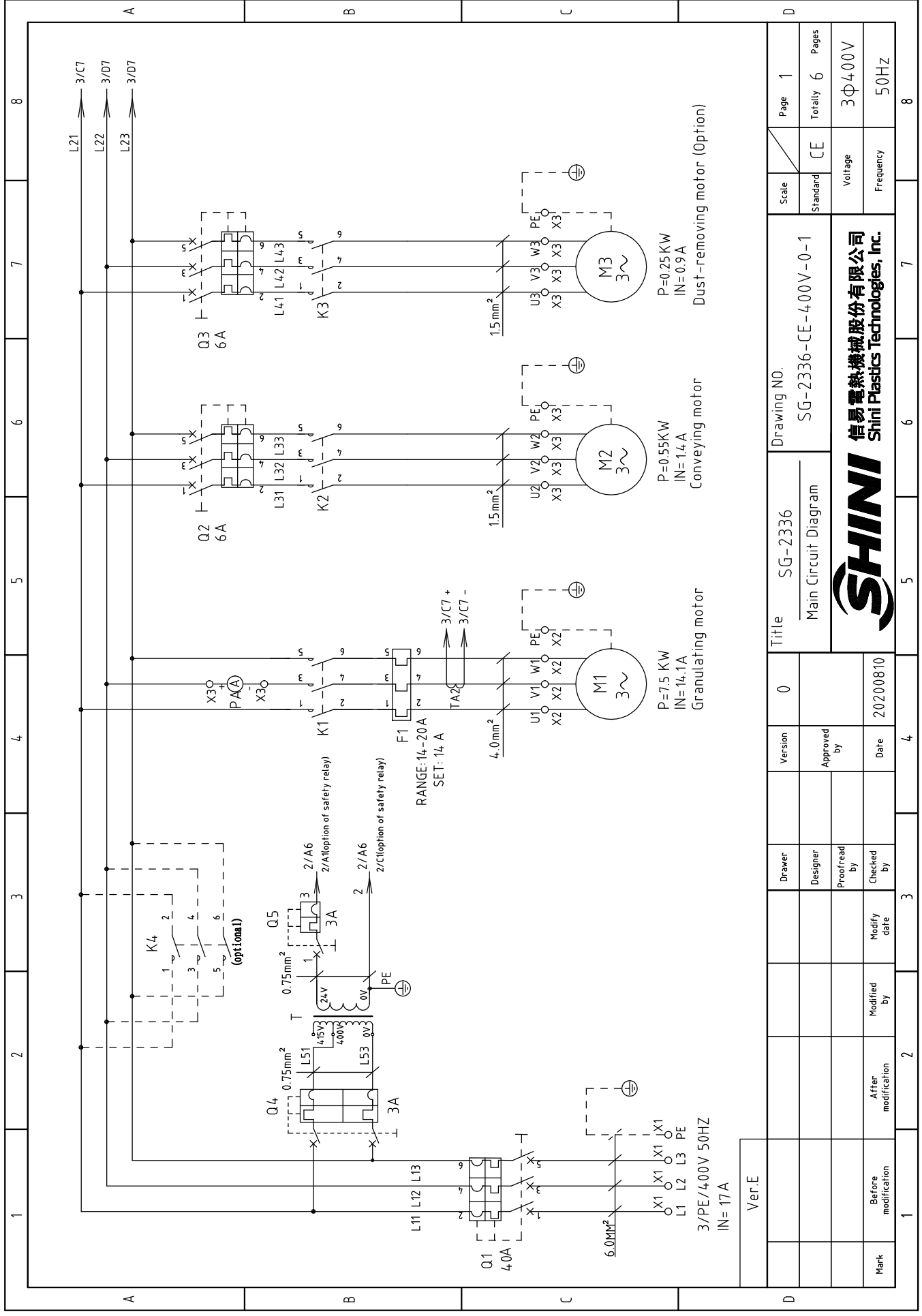
1	2		3	4	5	6	7	8
NO.	Symbol	Name	Manufacturer	Type	Specification	Number	Material number	Remark
1	Q1	Break interlock	ABB	A1A125TMF40	40A	1	YE41104200000	
2	Q2	Circuit breaker	TECO	BM-63C	6A	1	YE40300603000	
3	Q3	Circuit breaker	TECO	BM-63C	6A	1	YE40300603000	(2)
4	K1	Contactor	SIEMENS	3RT6018-1AB02	24VAC 50/60Hz	1	YE00601802600	
5	K2	Contactor	SIEMENS	3RT6016-1AB01	24VAC 50/60Hz	1	YE00601602500	
6		Auxiliary Contactor	SIEMENS	3RH6911-1HA11	1NC+1NO	1	YE00691100100	
7	K3	Contactor	SIEMENS	3RT6015-1AB02	24VAC 50/60Hz	1	YE00601502600	(2)
8	K4	Contactor	SIEMENS	3RT6018-1AB02	24VAC 50/60Hz	1	YE00601802600	(4)
9	K5	Safety relay	PILZ	PN0Zx2.8P	24V AC/DC	1	YE04023000000	(4)
10	K7	Middle relay	Honeywell	GR-2C-AC24V	24VAC	1	YE03022400300	
11	K7	Middle relay	Honeywell	GR-4C-AC24V	24VAC	1	YE03042400300	(4)
12	F1	Overload relay	SIEMENS	3RU6116-4AB0	11-16A	1	YE01611640000	Delete
13	F1	Overload relay	SIEMENS	3RU6116-1KB0	9-12.5A	1	YE01169125000	New
14	K6	Middle relay	Honeywell	GR-2C-AC24V	24VAC	1	YE03022400300	
15	Q4	Circuit breaker	TECO	BM-63C/2003S 2P	3A	1	YE40200203000	
16	Q5	Circuit breaker	TECO	BM-63C/1003S 1P	3A	1	YE40100203000	
17	T	Transformer	BAIYUN	IN=400V/415V OUT=24V	80VA	1	YE70040000500	
18	X1	Terminal board	HONEYWELL	SK4	4mm ²	3	YE60000403200	
19			HONEYWELL	GK4PE	4mm ² PE	1	YE60000403500	
20	X2	Terminal board	HONEYWELL	SK2.5	2.5mm ²	3	YE60002503200	
21			HONEYWELL	GK2.5PE	2.5mm ² PE	1	YE60002503400	
22	X3	Terminal board	HONEYWELL	SK2.5	2.5mm ²	21	YE60002503200	
23			HONEYWELL	GK2.5PE	2.5mm ² PE	1	YE60002503400	
24			HONEYWELL	SK2.5	2.5mm ²	5	YE60002503200	(2)
25			HONEYWELL	GK2.5PE	2.5mm ² PE	1	YE60002503400	(2)
Ver.E Note: (1) materials not included in the control box;(2)Means optional accessories of dedusting motor;(3)Means optional accessories of full-receive alarm device;(4)Stand for optional safety relay.								
Ver.E			Drawer	Version	Title	Drawing NO.		Scale
			Designer	0	SG-2324	SG-2324-CE-400V-0-5		Standard
			Proofread by	Approved by	Electrical Components List 1		CE	Page 5
			Checked by	Date			Totally	Pages
Mark			Modified by	20200810			Voltage	Frequency
Before modification			Modified date				3Φ400V	50Hz
1	2	3	4	5	6	7	8	



信易電熱機械股份有限公司
Shini Plastics Technologies, Inc.

1	2		3	4	5	6	7	8
NO.	Symbol	Name	Manufacturer	Type	Specification	Number	Material number	Remark
26			HONEYWELL	SK2.5	2.5mm ²	4	YE60002503200	(3)
27			HONEYWELL	SK2.5	2.5mm ²	8	YE60002503200	(4)
28	X10	Metal connector	SHINI	PLT-254-PM	4P	1	YE68025400000	(1)(3)
29			-----	PLT-254-RF	4P	1	YE68025400100	(1)(3)
30	PCB	PCB	YUYUN	AB-02	24VAC	1	YE80022400100	
31	S1	Emergency stop button	SCHNEIDER	XB2BS542C	400VAC	1	YE11254200000	(1)
32		Contact block	SCHNEIDER	ZB2BE102C	1NC	1	YE00210203100	(1)(4)
33	S2	Stop button	SCHNEIDER	XB2BA22C	400VAC	1	YE11222000000	(1)
34	S3,H1	Start button (with light)	SCHNEIDER	XB2BW33B1C	24VAC	1	YE11233100000	(1)
35		Contact block	SCHNEIDER	ZB2BE101C	1NO	1	YE00210103100	(1)(4)
36	S4, S5	Safety switch	SCHMERSRC	AZ15-02ZVRK-14.76	AZ-15	2	YE1614.7600100	(1)
37	S4, S5	Safety switch	SCHMERSRC	AZ16-02ZVRK-14.76	AZ-16	2	YE1614.7600000	(1)(4)
38		Operation parts AZ17-B6	-----	-----	AZ-17	2	YE16176000000	(1)
39	H2	Three-color alarm lamp	SHINI	Red, green, yellow lights + buzzer	24VAC	1	BL90002401520	(1)
40	H3	Buzzer	TEND	EA-2	24VAC	1	YE84240200000	(1)(3)
41	MS	Material level switch	SIPAI	SR-80	24VAC	1	YE15802400100	(1)(3)
42	TA2	Current transformer	YUYUN	-----	5-100A	1	-----	Come with circuit board
43	PA	Ammeter	SFIM	DH-670	30A	1	YE25673000000	(1)
44	M1	Granulating motor	-----	5.5KW	400V 50Hz	1	-----	(1)
45	M2	Solution blower	-----	0.55KW	400V 50Hz	1	-----	(1)
46	M3	Dust-removing blower	-----	0.25KW	400V 50Hz	1	-----	(1)(2)
Ver.E Notes: (1)Means it's not the material inside the control box.(2)Means optional accessories of dedusting motor;(3)Optional accessories of full-receive alarm device;(4)Stand for optional safety relay.								
			Drawer	Version	Title		Drawing NO.	
			Designer	0	SG-2324		SG-2324-CE-400V-0-6	
			Proofread by	Approved by	Electrical Components List 2		Standard	Scale
			Checked by	Date			CE	Page 6
			Modified by	20200810			Totally	Pages
			Modify date				6	6
			After modification				Voltage	Frequency
			Before modification				3Φ4.00V	50HZ
1	2	3	4	5	6	7	8	



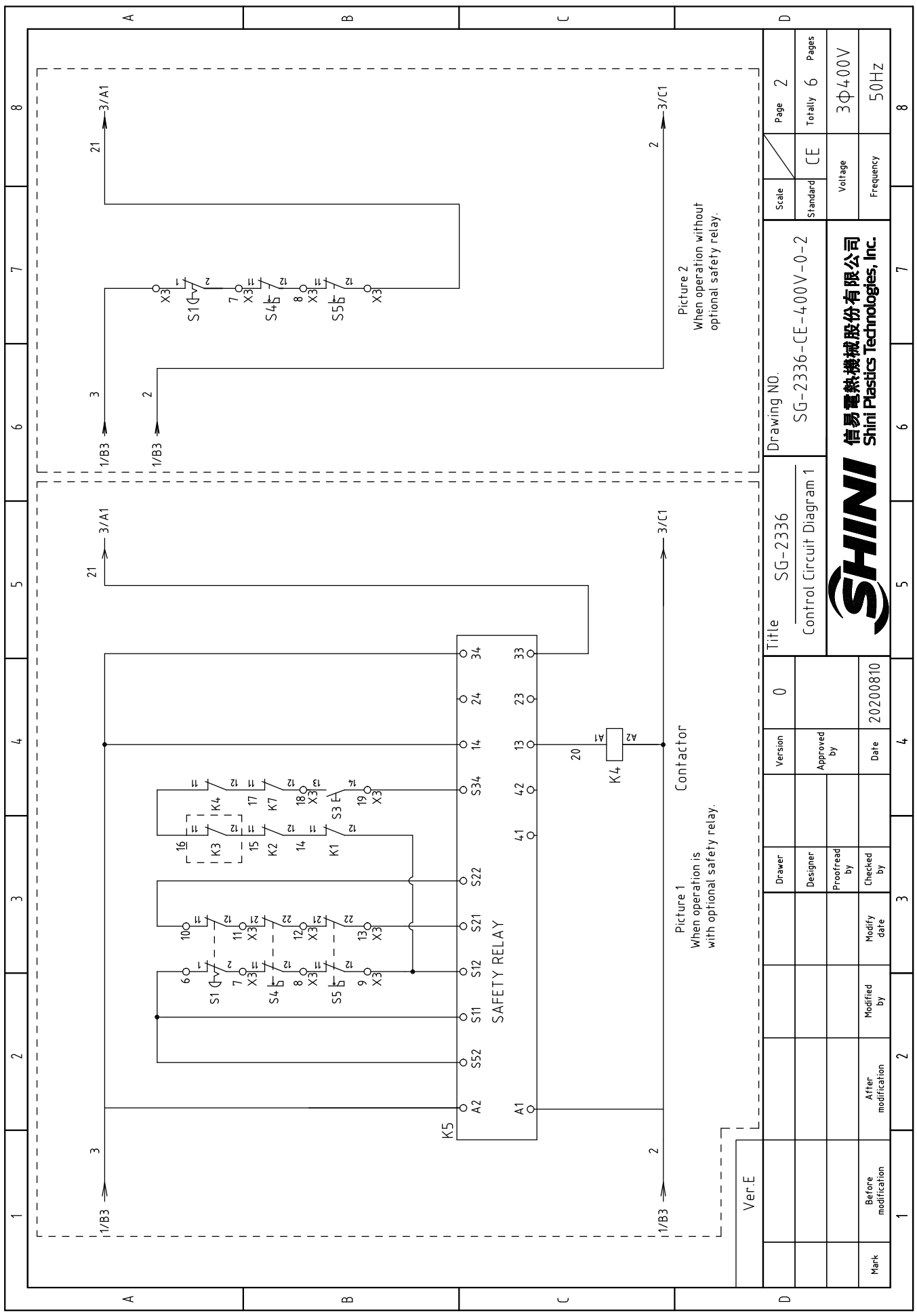


Mark	Before modification	After modification	Modified by	Modify date	Checked by	Date	20200810
Designer					Approved by		
Version	0						
Title	SG-2336		Main Circuit Diagram		Drawing NO.		
Scale	Standard	CE	Voltage		3Φ4.00V		
Page	1	Totally		6		Pages	



SG-2336-CE-400V-0-1

Ver.E								
1	2	3	4	5	6	7	8	

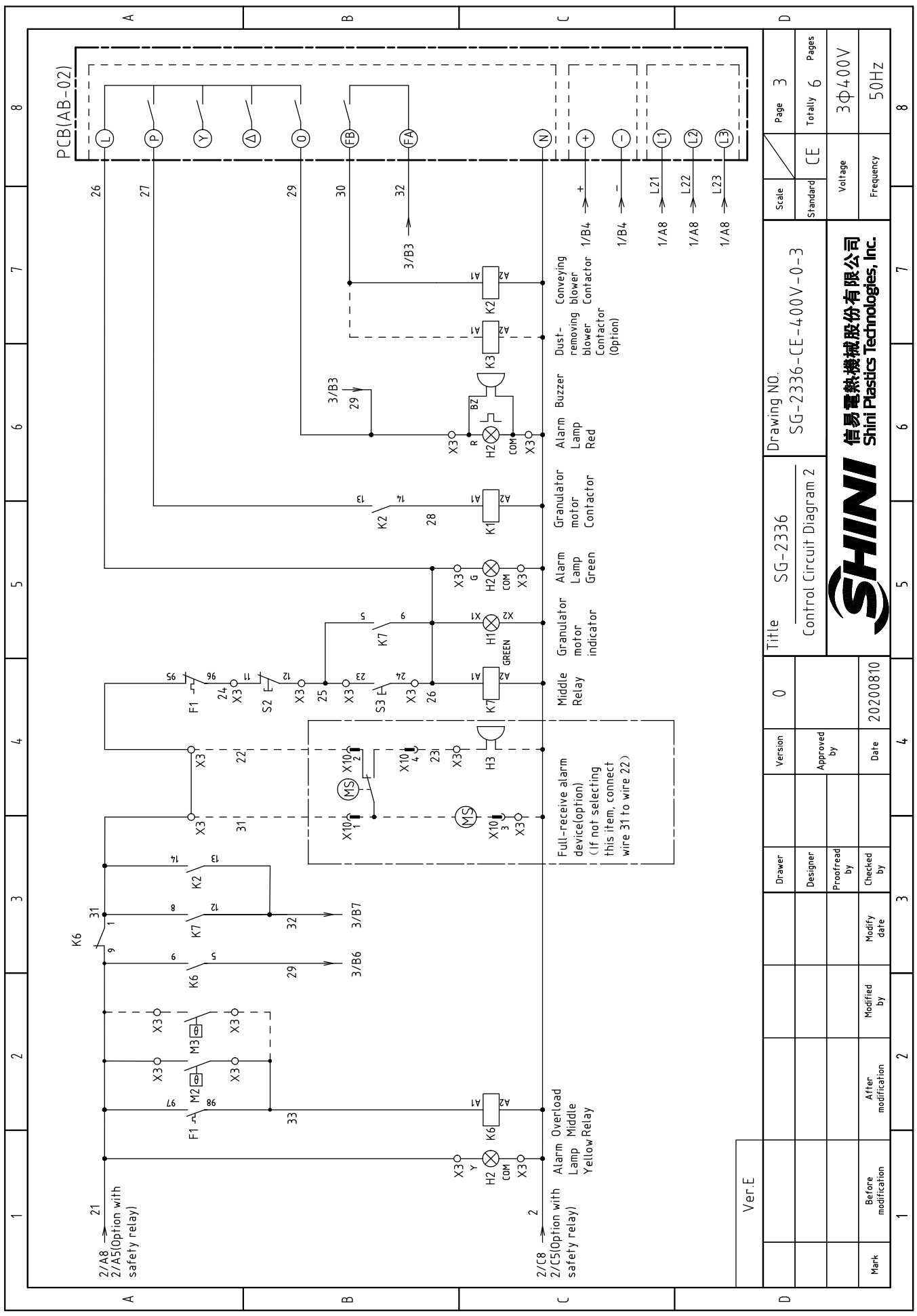


Picture 1
When operation is
with optional safety relay.

Picture 2
When operation without
optional safety relay.

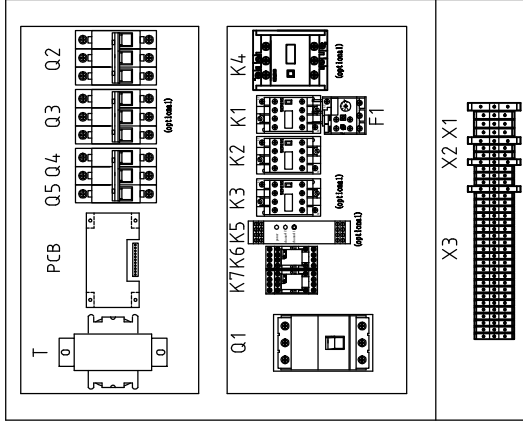
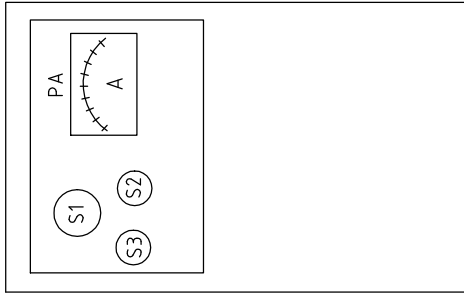
Ver.E	Title		Drawing NO.		Scale	Page
	SG-2336		SG-2336-CE-4.00V-0-2		Standard	2
Control Circuit Diagram 1		Version		Totally		Pages
0		Approved by		6		6
Date		Checked by		Voltage		3Φ4.00V
20200810		Modify date		Frequency		50HZ
Mark		After modification		1		8
Before modification		Modified by		2		8
Date		Checked by		3		8
20200810		Modify date		4		8
Date		Checked by		5		8
20200810		Modify date		6		8
Date		Checked by		7		8
20200810		Modify date		8		8



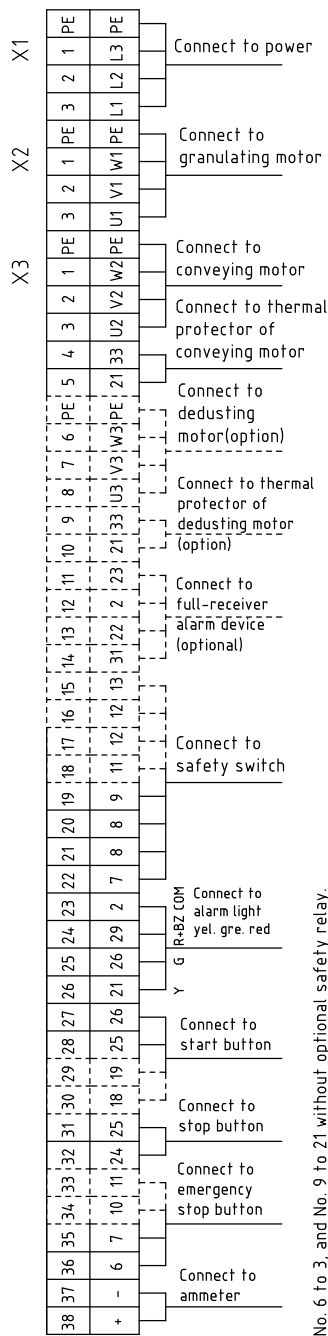
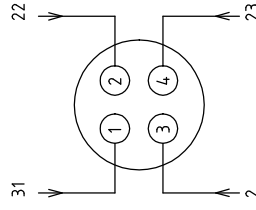


Ver.E	Scale		Page 3		
	Standard	CE	Totally	6 Pages	
Mark	Before modification	Modified by	After modification	Modified by	
	20200810	20200810	20200810	20200810	
Title		Drawing NO.		Voltage	
Control Circuit Diagram 2		SG-2336		3Φ4.00V	
0		SG-2336-CE-4.00V-0-3		Frequency	
Version		Approved by		50HZ	
4		Date		8	
3		4		7	
2		3		6	
1		2		5	





X10 Connection diagram of metal connectors (option)



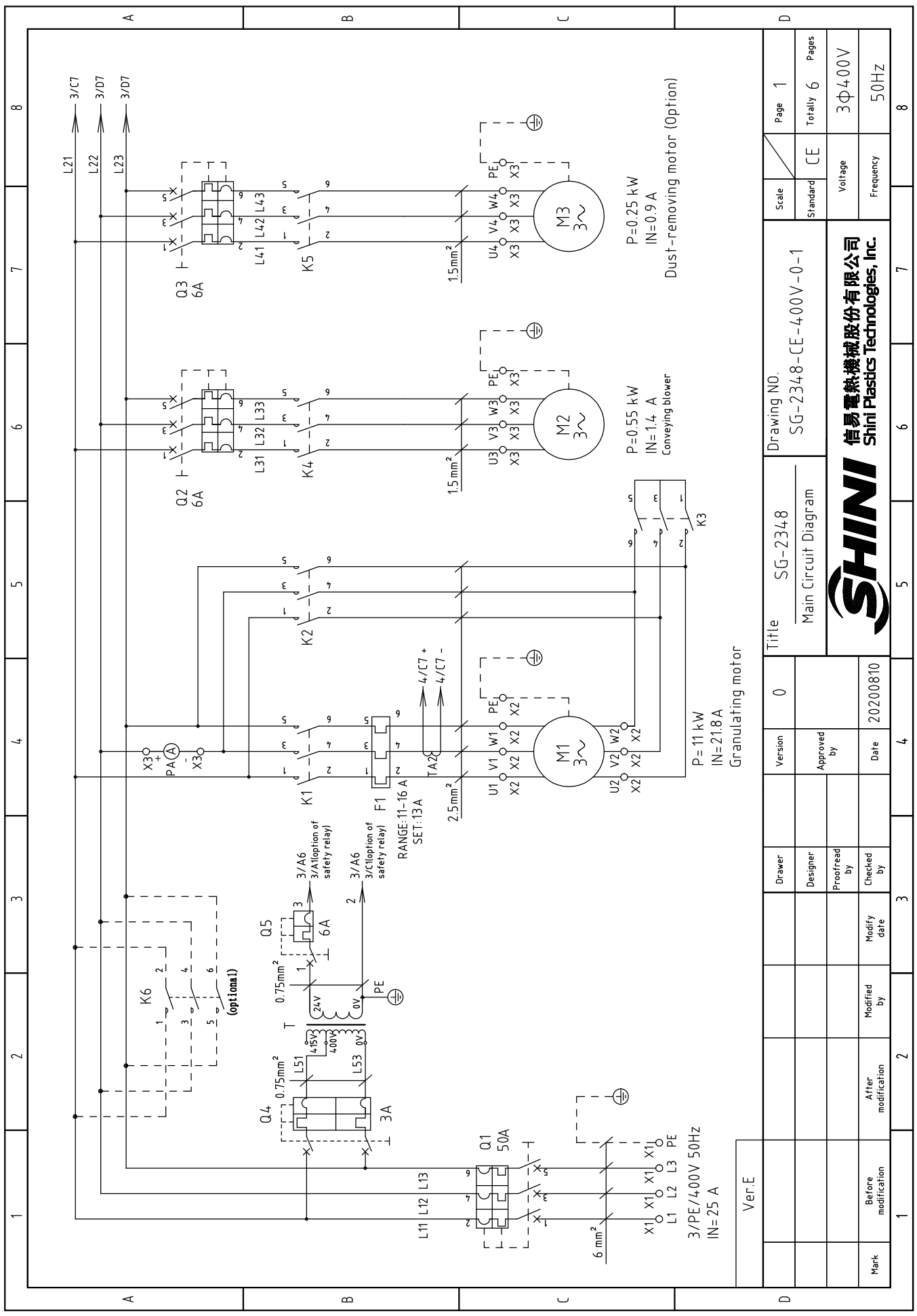
Ver.E	Notes: Change terminal No. 6 to 3, and No. 9 to 21 without optional safety relay.	
Mark	Before modification	After modification
Modified by	Modified date	Check by
Proofread by	Proofread date	Approved by
Designer	Designer	Approved by
Drawer	Version	0
Title		SG-2336
Drawing No.		SG-2336-CE-400V-0-4
Scale	Standard	CE
Page	Totally	4
Voltage		3Φ400V
Frequency		50HZ
1	2	3
4	5	6
7	8	9
SHINI		信易電熱機械股份有限公司 Shini Plastics Technologies, Inc.

1		2		3		4		5		6		7		8	
NO.	Symbol	Name	Manufacturer	Type	Specification	Number	Material number	Remark							
1	Q1	Break interlock	ABB	A1A125TMF40	40A	1	YE41104200000								
2	Q2	Circuit breaker	TECO	BM-63C	6A	1	YE40300603000								
3	Q3	Circuit breaker	TECO	BM-63C	6A	1	YE40300603000	(2)							
4	K1	Contactor	SIEMENS	3RT6026-1AC20	24VAC 50/60Hz	1	YE00602602600								
5	K2	Contactor	SIEMENS	3RT6016-1AB01	24VAC 50/60Hz	1	YE00601602500								
6		Auxiliary Contactor	SIEMENS	3RH6911-1HA11	1NC+1NO	1	YE00691100100								
7	K3	Contactor	SIEMENS	3RT6015-1AB02	24VAC 50/60Hz	1	YE00601502600	(2)							
8	K4	Contactor	SIEMENS	3RT6026-1AC20	24VAC 50/60Hz	1	YE00602602600	(4)							
9	K5	Safety relay	PILZ	PN0Zx2.8P	24V AC/DC	1	YE04023000000	(4)							
10	K7	Middle relay	Honeywell	GR-2C-AC24V	24VAC	1	YE03022400300								
11	K7	Middle relay	Honeywell	GR-4C-AC24V	24VAC	1	YE03042400300	(4)							
12	F1	Overload relay	SIEMENS	3RU6126-4BB0	14-20A	1	YE01260140000								
13	K6	Middle relay	Honeywell	GR-2C-AC24V	24VAC	1	YE03022400300								
14	Q4	Circuit breaker	TECO	BM-63C/2003S 2P	3A	1	YE40200203000								
15	Q5	Circuit breaker	TECO	BM-63C/1003S 1P	3A	1	YE40100203000								
16	T	Transformer	BAIYUN	IN=400V/4.15V OUT=24V	80VA	1	YE70040006500								
17	X1	Terminal board	HONEYWELL	GK6	6mm ²	3	YE60000603200								
18			HONEYWELL	GK6PE	6mm ² PE	1	YE60000603500								
19	X2	Terminal board	HONEYWELL	SK4	4mm ²	3	YE60000403200								
20			HONEYWELL	GK4PE	4mm ² PE	1	YE60000403500								
21	X3	Terminal board	HONEYWELL	SK4	4mm ²	2	YE60000403200								
22			HONEYWELL	SK2.5	2.5mm ²	19	YE60002503200								
23			HONEYWELL	GK2.5PE	2.5mm ² PE	1	YE60002503400								
24			HONEYWELL	SK2.5	2.5mm ²	5	YE60002503200	(2)							
25			HONEYWELL	GK2.5PE	2.5mm ² PE	1	YE60002503400	(2)							
Ver.E Notes: (1)Means it's not the material inside the control box.(2)Means optional accessories of dedusting motor.(3)Means optional accessories of full-receive alarm device.(4)Optional accessories of safety relay.															
Ver.E			Drawer	Version	Title	Drawing No.		Scale	Page 5						
			Designer	Approved by	SG-2336	SG-2336-CE-400V-0-5		Standard	CE		Totally 6		Pages		
			Proofread by	Date	Electrical Components List 1						Voltage		3Φ400V		
Mark			Before modification	Modified by	Modified date	20200810				Frequency		50Hz		8	
1			3		4		5		6		7		8		



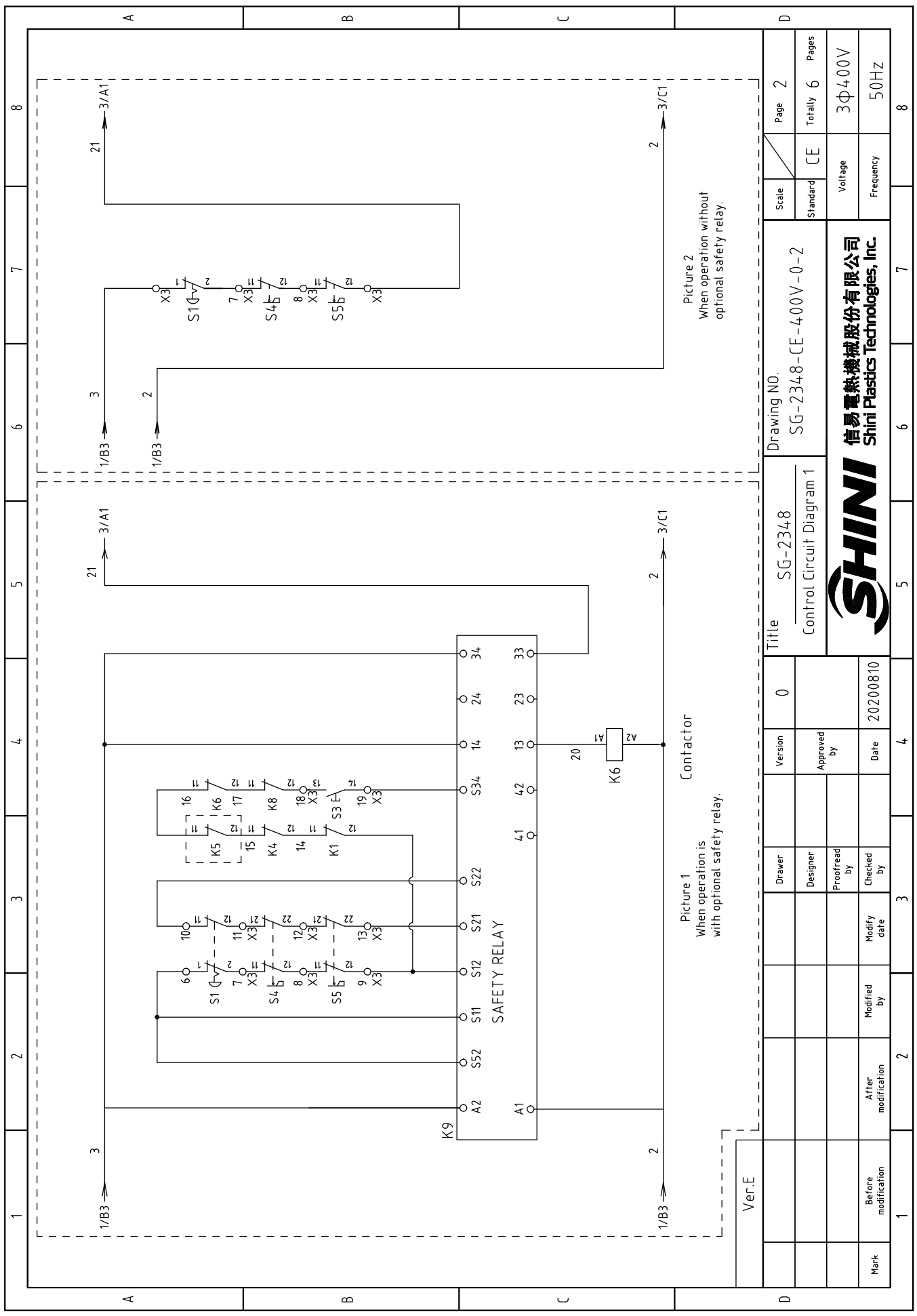
1	2		3	4	5	6	7	8
NO.	Symbol	Name	Manufacturer	Type	Specification	Number	Material number	Remark
26			HONEYWELL	SK2.5	2.5mm ²	4	YE60002503200	(3)
27			HONEYWELL	SK2.5	2.5mm ²	8	YE60002503200	(4)
28	X10	Metal connector	SHINI	PLT-254-PM	4P	1	YE680254.00000	(1)(3)
29			-----	PLT-254-RF	4P	1	YE680254.00100	(1)(3)
30	PCB	PCB	YUYUN	AB-02	24VAC	1	YE800224.00100	
31	S1	Emergency stop button	SCHNEIDER	XB2BS542C	400VAC	1	YE11254.200000	(1)
32		Contact block	SCHNEIDER	ZB2BE102C	1NC	1	YE00210203100	(1)(4)
33	S2	Stop button	SCHNEIDER	XB2BA22C	400VAC	1	YE11222000000	(1)
34	S3,H1	Start button (with light)	SCHNEIDER	XB2BW33B1C	24VAC	1	YE11233100000	(1)
35		Contact block	SCHNEIDER	ZB2BE101C	1NO	1	YE00210103100	(1)(4)
36	S4, S5	Safety switch	SCHMERSRC	AZ15-02ZVRK-14.76	AZ-15	2	YE1614.7600100	(1)
37	S4, S5	Safety switch	SCHMERSRC	AZ16-02ZVRK-14.76	AZ-16	2	YE1614.7600000	(1)(4)
38		Operation parts AZ17-B6	-----	-----	AZ-17	2	YE16176000000	(1)
39	H2	Three color alarm light	SHINI	Red, green, yellow lights + buzzer	24VAC	1	BL900024.01520	(1)
40	H3	Buzzer	TEND	EA-2	24VAC	1	YE8424.0200000	(1)(3)
41	MS	Material level switch	SIPAI	SR-80	24VAC	1	YE158024.00100	(1)(3)
42	TA2	Current transformer	YUYUN	-----	5-100A	1	-----	Come with circuit board
43	PA	Ammeter	SFIM	DH-670	50A	1	YE25675000000	(1)
44	M1	Granulating motor	-----	7.5KW	400V 50Hz	1	-----	(1)
45	M2	Solution blower	-----	0.55KW	400V 50Hz	1	-----	(1)
46	M3	Dust-removing blower	-----	0.25KW	400V 50Hz	1	-----	(1)(2)
Ver.E Notes: (1)Means it's not the material inside the control box.(2)Means optional accessories of dedusting motor.(3)Optional accessories of full-receive alarm device.(4)Stand for optional safety relay.								
				Version	0	Drawing NO.		Page 6
				Designer		SG-2336		Totally 6
				Proofread by		Electrical Components List 2		Pages
				Checked by				CE
				Modified by				Voltage
				Modify date	20200810			Frequency
Mark	Before modification	After modification	Date					3Φ4.00V
1	2	3	4	5	6	7	8	50HZ





Mark	Before modification	Modified by	Modify date	Checked by	Date	Proofread by	Approved by	Version	0	Title	SG-2348	Drawing No.	SG-2348-CE-400V-0-1	Standard	CE	Totally	6	Pages	Page 1	
					20200810					Main Circuit Diagram										

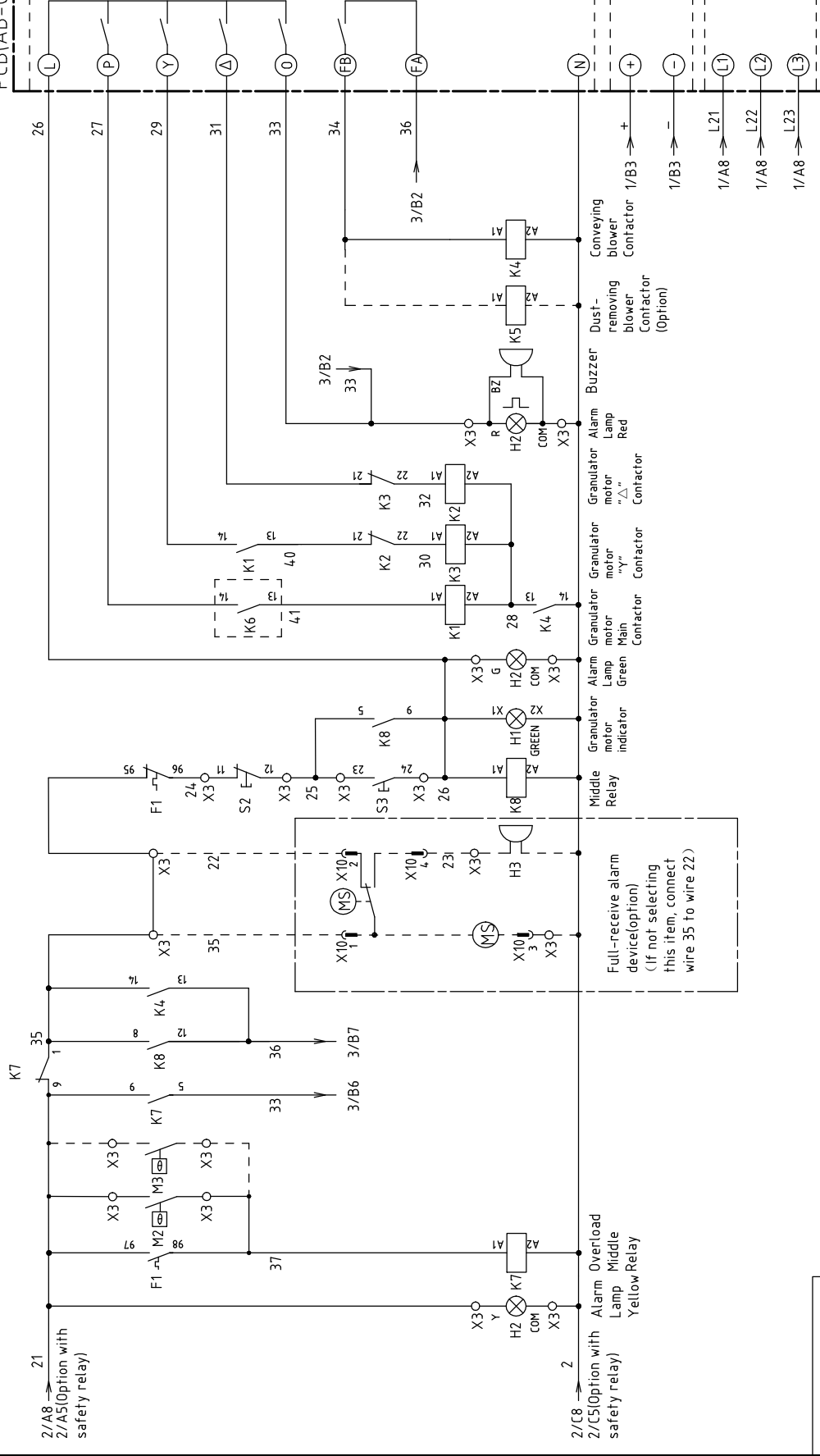
SHINI
 信易電熱機械股份有限公司
 Shini Plastics Technologies, Inc.



Ver.E	Title		Drawing NO.		Scale	Page
	Control Circuit Diagram 1		SG-2348		Standard	Totally 6
Mark	Version		Title		Voltage	
	0		SG-2348-CE-400V-0-2		3Φ400V	
Before modification	Approved by		Drawing NO.		Frequency	
	[Signature]		SG-2348-CE-400V-0-2		50HZ	
After modification	Checked by		Title		Voltage	
	[Signature]		Control Circuit Diagram 1		3Φ400V	
Modified date		Date		Frequency		
[Date]		20200810		50HZ		



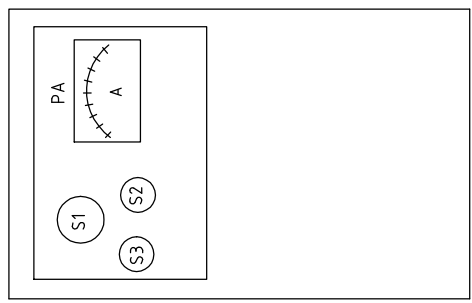
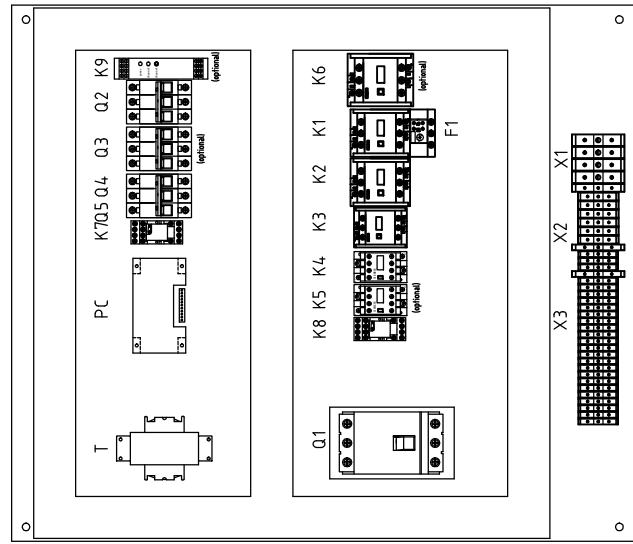
PCB(AB-02)



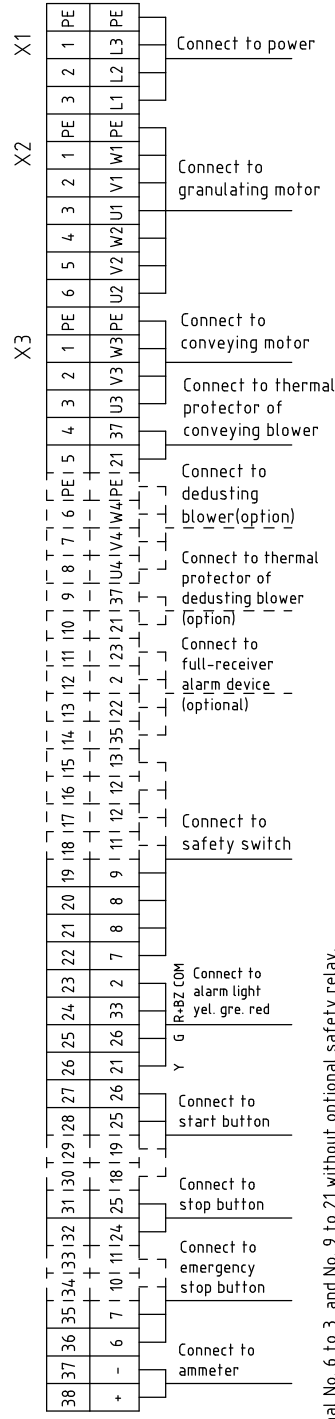
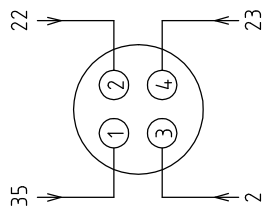
Ver.E

D	Title	Drawing No.		Scale	Page	
		SG-2348	SG-2348-CE-400V-0-3			CE
Mark	Before modification	Modified by	Date	Voltage	Frequency	
						20200810
1	After modification	Modified by	Date	Voltage	Frequency	
						2
Totality				Pages		
6				6		





X10 Connection diagram of metal connectors (option)



Ver.E	Notes: Change terminal No. 6 to 3, and No. 9 to 21 without optional safety relay.				Version	0	Title	SG-2348		Drawing NO.	SG-2348-CE-400V-0-4		Scale	Page 4
	Drawer	Designer	Proofread by	Checked by		Approved by		Date	Electrical Components Layout		Standard	CE		Totally 6
Mark	Before modification	After modification	Modified by	Modify date	20200810								Voltage	3Φ4.00V
													Frequency	50HZ
1	2	3	4	5	6	7	8	SHINI		信易電熱機械股份有限公司 Shini Plastics Technologies, Inc.		8		

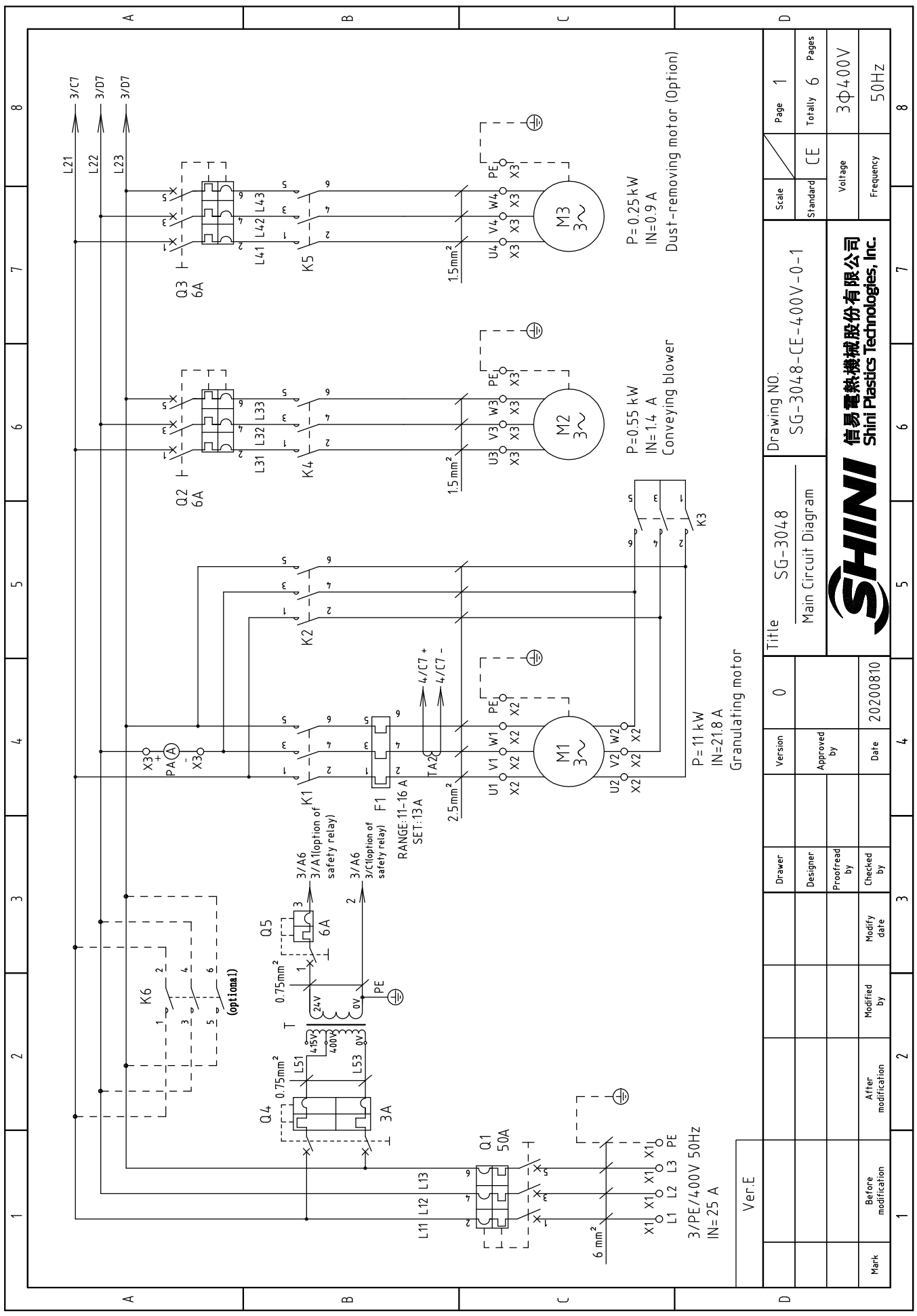
1	2		3	4	5	6	7	8
NO.	Symbol	Name	Manufacturer	Type	Specification	Number	Material number	Remark
1	Q1	Break interlock	ABB	A1A125TMF50	50A	1	YE41105200000	
2	Q2	Circuit breaker	TECO	BM-63C	6A	1	YE40300603000	
3	Q3	Circuit breaker	TECO	BM-63C	6A	1	YE40300603000	(2)
4	K1	Contactor	SIEMENS	3RT6025-1AC20	24VAC 50/60Hz	1	YE00602502600	
5	K2	Contactor	SIEMENS	3RT6025-1AC20	24VAC 50/60Hz	1	YE00602502600	
6	K3	Contactor	SIEMENS	3RT6018-1AB02	24VAC 50/60Hz	1	YE00601802600	
7	K4	Contactor	SIEMENS	3RT6016-1AB01	24VAC 50/60Hz	1	YE00601602500	
8		Auxiliary Contactor	SIEMENS	3RH6911-1HA11	1NC+1NO	1	YE00691100100	
9	K5	Contactor	SIEMENS	3RT6015-1AB02	24VAC 50/60Hz	1	YE00601502600	(2)
10	K6	Contactor	SIEMENS	3RT6027-1AC20	24VAC 50/60Hz	1	YE00602702600	(4)
11	K8	Middle relay	Honeywell	GR-2C-AC24V	24VAC	1	YE03022400300	
12	K8	Middle relay	Honeywell	GR-4C-AC24V	24VAC	1	YE03042400300	(4)
13	K9	Safety relay	PILZ	PN0Zx2.8P	24V AC/DC	1	YE04023000000	(4)
14	F1	Overload relay	SIEMENS	3RU6126-4AB0	11-16A	1	YE01260110000	
15	K7	Middle relay	Honeywell	GR-2C-AC24V	24VAC	1	YE03022400300	
16	Q4	Circuit breaker	TECO	BM-63C/2003S 2P	3A	1	YE40200203000	
17	Q5	Circuit breaker	TECO	BM-63C/1006S 1P	6A	1	YE40100600100	
18	T	Transformer	-----	IN=400V/415V OUT=24V	120VA	1	YE70040006600	Delete
19	T	Transformer	-----	IN=400V/415V OUT=24V	80VA	1	YE70040006500	New
20	T	Transformer	-----	IN=400V/415V OUT=24V	120VA	1	YE70040006600	(4) New
21	X1	Terminal board	HONEYWELL	GK6	6mm ²	3	YE60000603200	
22			HONEYWELL	GK6PE	6mm ² PE	1	YE60000603500	
23	X2	Terminal board	HONEYWELL	SK2.5	2.5mm ²	6	YE60002503200	
24			HONEYWELL	GK2.5PE	2.5mm ² PE	1	YE60002503400	
25	X3	Terminal board	HONEYWELL	SK4	4mm ²	2	YE60000403200	
Ver.E Notes: (1)Means it's not the material inside the control box.(2)Means optional accessories of dedusting motor.(3)Optional accessories of full-receive alarm device.(4)Stand for optional safety relay.								
			Drawer	Version	Title		Drawing NO.	
			Designer	Approved by	SG-2348		SG-2348-CE-400V-0-5	
			Proofread by		Electrical Components List 1		Standard	
			Checked by	Date			Scale	
			Modified by	20200810			CE	
			Modify date				Voltage	
			After modification				Frequency	
			Before modification				3Φ400V	
			Mark				50HZ	
1	2		3	4	5	6	7	8



信易電熱機械股份有限公司
Shini Plastics Technologies, Inc.

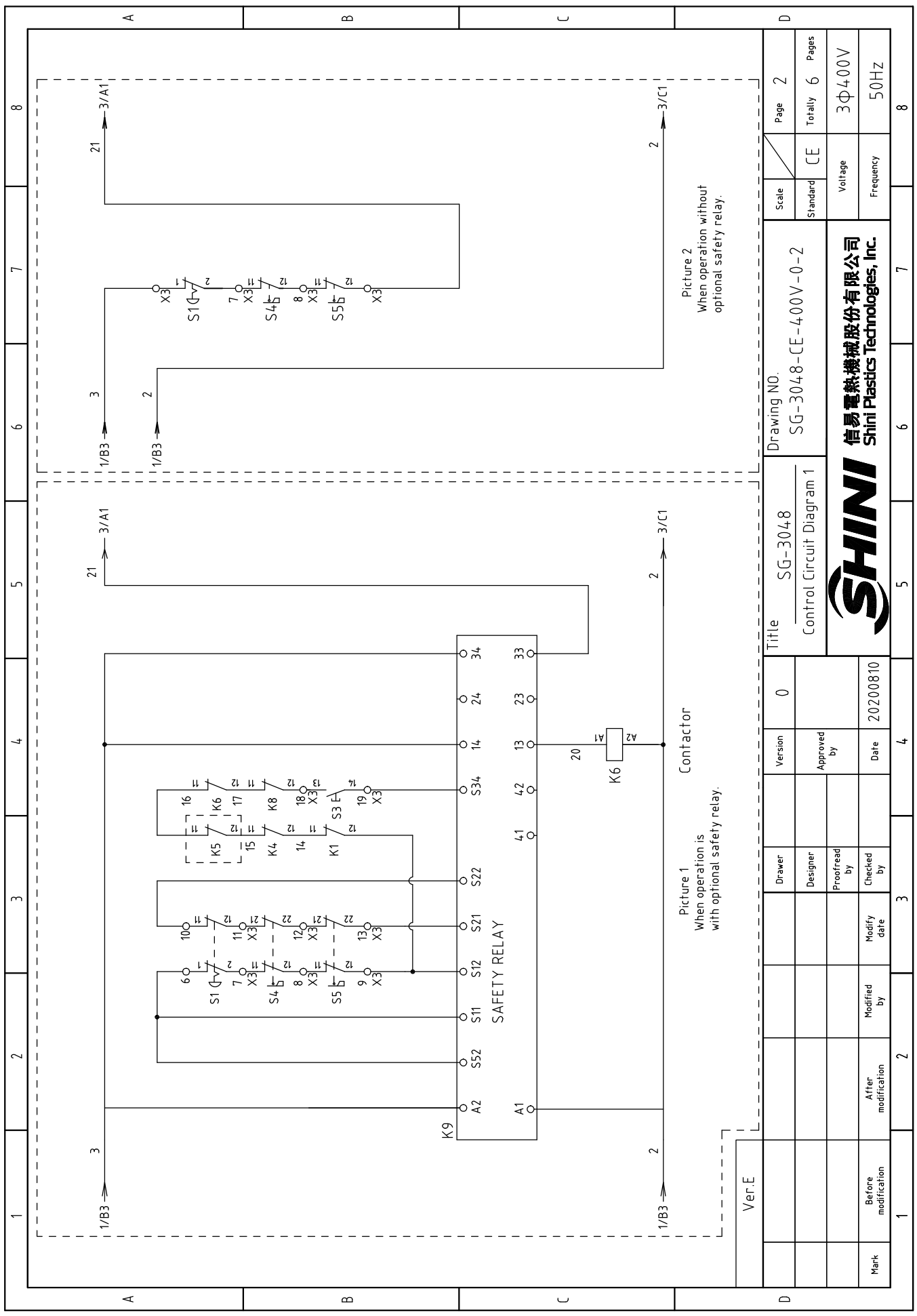
1	2	3	4	5	6	7	8	
NO.	Symbol	Name	Manufacturer	Type	Specification	Number	Material number	Remark
			HONEYWELL	SK2.5	2.5mm ²	19	YE60002503200	
			HONEYWELL	GK2.5PE	2.5mm ² PE	1	YE60002503400	
			HONEYWELL	SK2.5	2.5mm ²	5	YE60002503200	(2)
			HONEYWELL	GK2.5PE	2.5mm ² PE	1	YE60002503400	(2)
			HONEYWELL	SK2.5	2.5mm ²	4	YE60002503200	(3)
			HONEYWELL	SK2.5	2.5mm ²	8	YE60002503200	(4)
	X10	Metal connector	SHINI	PLT-254-PM	4P	1	YE680254.00000	(1)(3)
		Metal connector	-----	PLT-254-RF	4P	1	YE680254.00100	(1)(3)
	PCB	PCB	YUYUN	AB-02	24VAC	1	YE800224.00100	
	S1	Emergency stop button	SCHNEIDER	XB2BS542C	400VAC	1	YE11254.2000000	(1)
	S2	Contact block	SCHNEIDER	ZB2BE102C	1NC	1	YE00210203100	(1)(4)
	S3,H1	Stop button (with light)	SCHNEIDER	XB2BA22C	400VAC	1	YE112220000000	(1)
		Contact block	SCHNEIDER	XB2BW33B1C	24VAC	1	YE11233100000	(1)
	S4, S5	Safety switch	SCHNEIDER	ZB2BE101C	1NO	1	YE00210103100	(1)(4)
	S4, S5	Safety switch	SCHMERSRC	AZ15-02ZVRK-14.76	AZ-15	2	YE1614.7600100	(1)
		Operation parts AZ17-B6	SCHMERSRC	AZ16-02ZVRK-14.76	AZ-16	2	YE1614.76000000	(1)(4)
		Three-color alarm lamp	SHINI	Red, green, yellow lights + buzzer	24VAC	1	BL900024.01520	(1)
	H2	Buzzer	TEND	EA-2	24VAC	1	YE84.24.0200000	(1)(3)
	MS	Material level switch	SIPAI	SR-80	24VAC	1	YE158024.00100	(1)(3)
	TA2	Current transformers	YUYUN	-----	5-100A	1	-----	Come with circuit board
	PA	Ammeter	SFIM	DH-670	50A	1	YE25675000000	(1)
	M1	Granulating motor	-----	11KW	400V 50Hz	1	-----	(1)
	M2	Solution blower	-----	0.55KW	400V 50Hz	1	-----	(1)
	M3	Dust-removing blower	-----	0.25KW	400V 50Hz	1	-----	(1)(2)
Ver.E			Notes: (1)Means it's not the material inside the control box.(2)Means optional accessories of dedusting motor.(3)Optional accessories of full-receive alarm device.(4)Stand for optional safety relay.					
1			Drawer	Version	Title		Scale	
2			Designer	0	SG-2348		Drawing NO.	
3			Proofread by	Approved by	Electrical Components List 2		Standard	
4			Checked by	Date	SG-2348-CE-400V-0-6		CE	
5			Modified by	20200810	SHINI		Voltage	
6			Modify date		信易電熱機械股份有限公司		Frequency	
7			Mark		Shini Plastics Technologies, Inc.		3Φ4.00V	
8							50HZ	





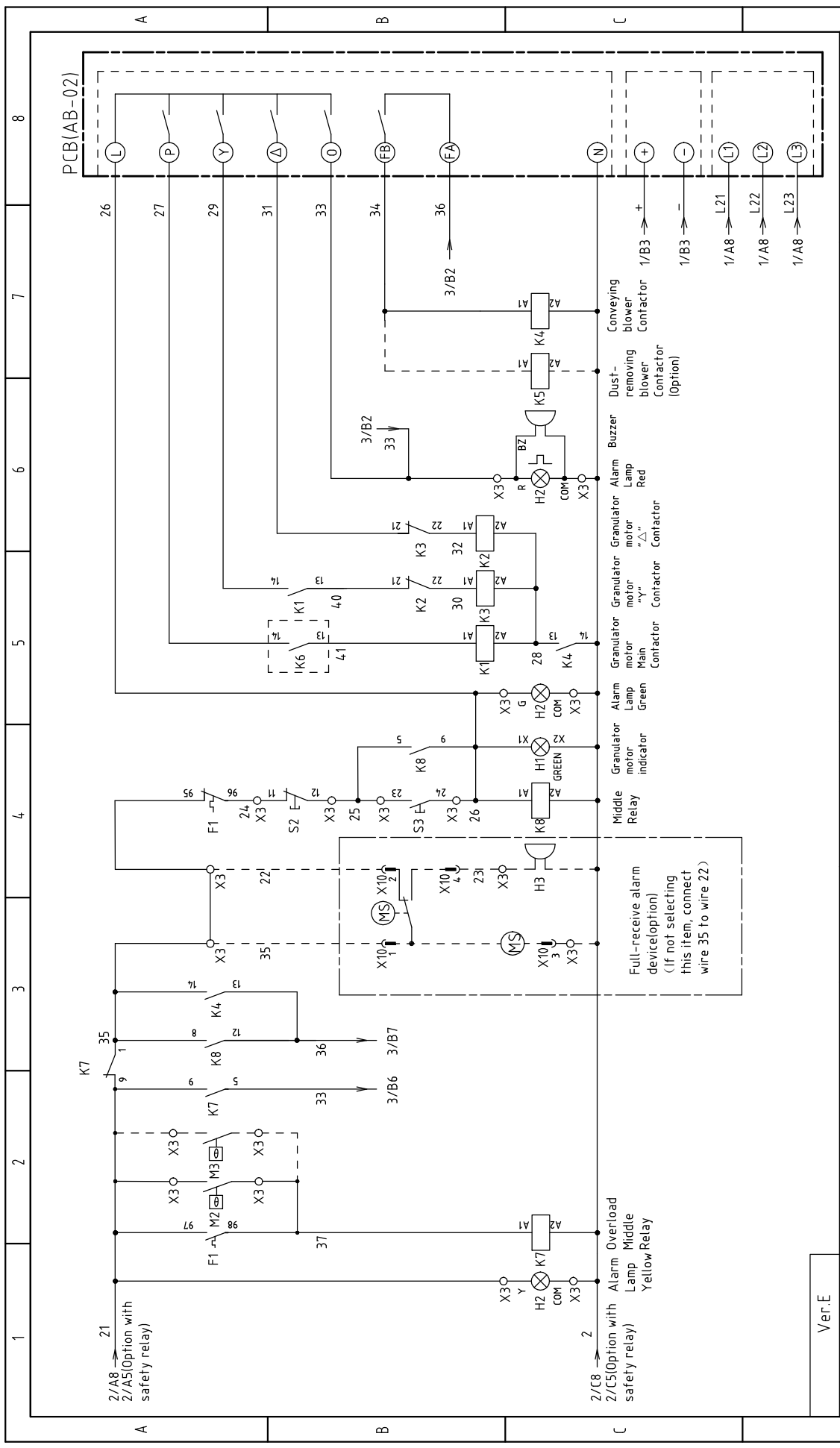
Ver.E												
Mark	Before modification	Modified by	Modify date	Checked by	Date	Approved by	Version	0	Title	SG-3048	Drawing NO.	SG-3048-CE-400V-0-1
					20200810				Main Circuit Diagram		Scale	CE
											Standard	CE
												Page 1
												Totally 6 Pages
												Voltage
												Frequency
												3Φ400V
												50Hz
												8



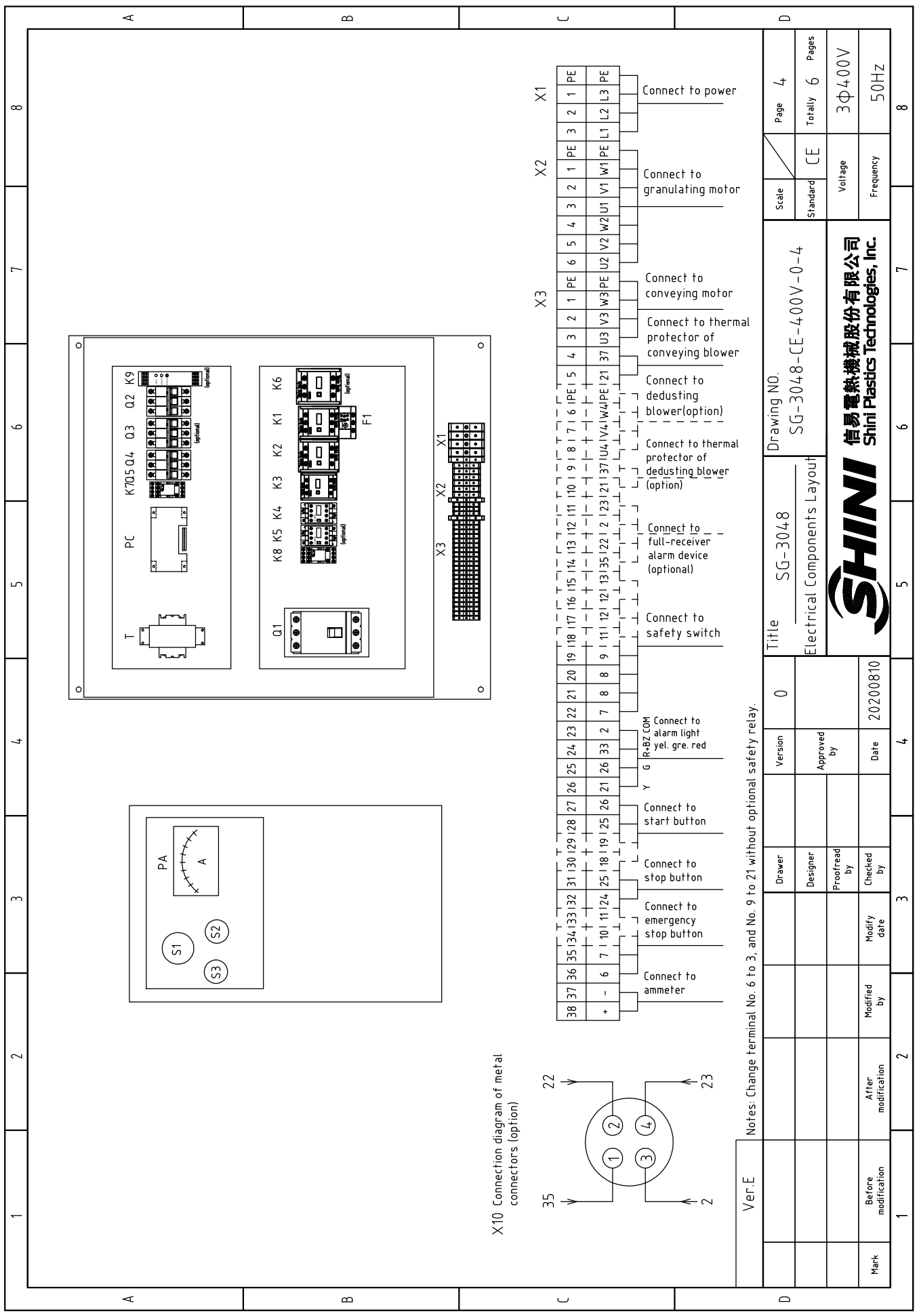


Ver.E	Title		Drawing NO.		Scale	Page
	Control Circuit Diagram 1		SG-3048		Standard	2
Mark	Version		SG-3048-CE-400V-0-2		Standard	Totally
	0				CE	6
Before modification	Modified by	Proofread by	Approved by	Voltage		Pages
				3Φ400V		8
After modification	Modify date	Checked by	Date	Frequency		
			20200810	50HZ		

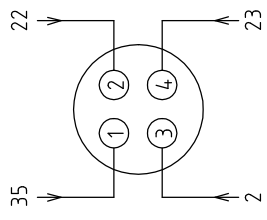





Ver.E	0	Version	0	Title	SG-3048		Drawing No.	SG-3048-CE-400V-0-3		Scale	Page 3	
					Control Circuit Diagram 2			Standard	CE		Totally	6
Mark	Before modification	Modified by	Modify date	Checked by	20200810	Date	20200810	Approved by		Voltage	3Φ400V	
	After modification	Modified by	Modify date	Checked by		Date		Approved by		Frequency	50HZ	
1	2	3	4	5	6	7	8	SHINI 信易電熱機械股份有限公司 Shini Plastics Technologies, Inc.		8		



X10 Connection diagram of metal connectors (option)



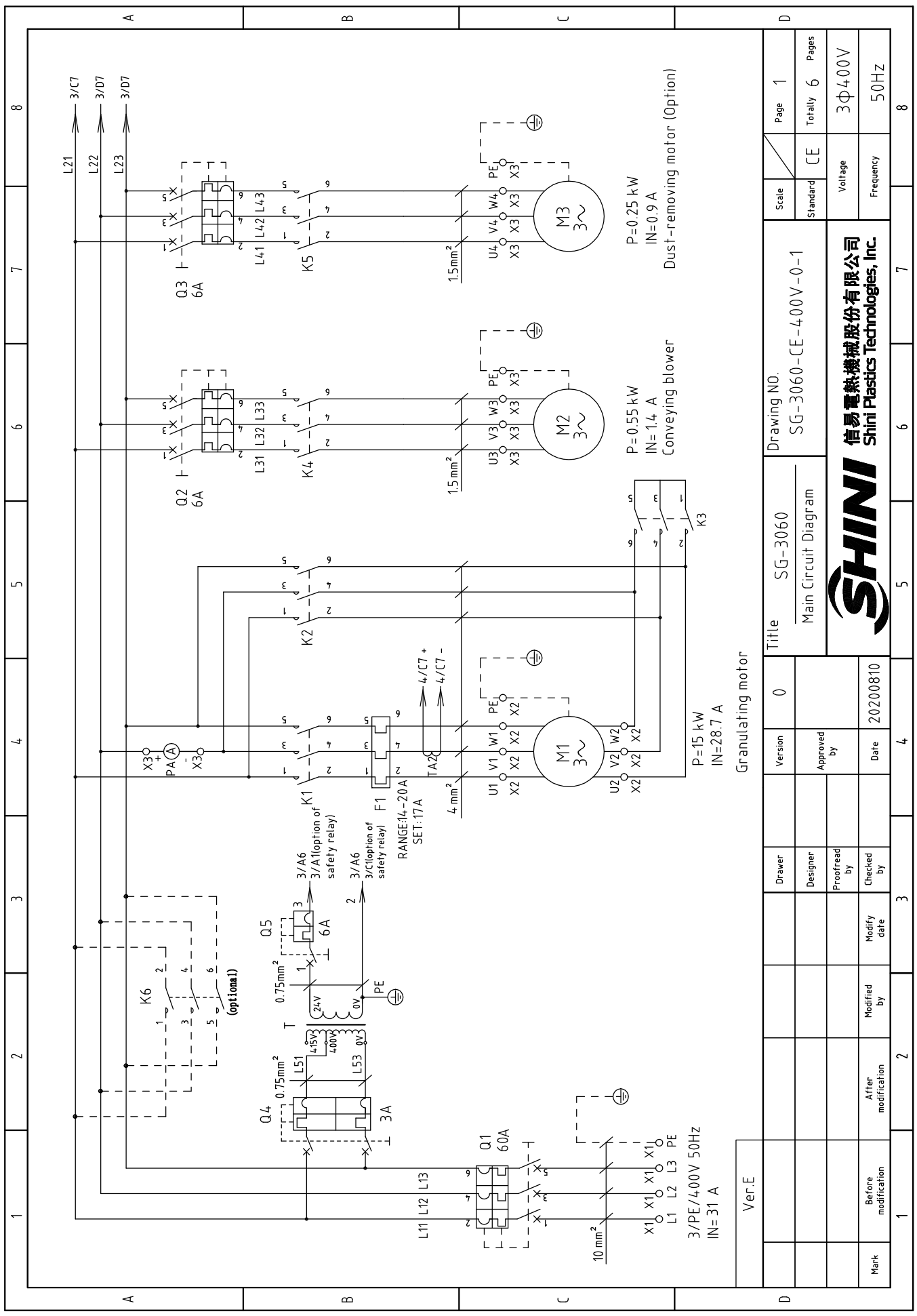
Ver.E	Notes: Change terminal No. 6 to 3, and No. 9 to 21 without optional safety relay.				Version	0	Title	SG-3048		Drawing NO.	SG-3048-CE-400V-0-4		Scale	Page	4
	Drawer	Designer	Proofread by	Checked by		Modified by		Modify date	Approved by		Date	Standard		CE	Totally
Mark	Before modification	After modification			20200810		Electrical Components Layout		 信易電熱機械股份有限公司 Shini Plastics Technologies, Inc.		Voltage	3Φ400V			
1	2	3	4	5	6	7	8	9	10	11	12	13	14	15	16

1	2		3	4	5	6	7	8
NO.	Symbol	Name	Manufacturer	Type	Specification	Number	Material number	Remark
1	Q1	Break interlock	ABB	A1A125TMF50	50A	1	YE41105200000	
2	Q2	Circuit breaker	TECO	BM-63C	6A	1	YE40300603000	
3	Q3	Circuit breaker	TECO	BM-63C	6A	1	YE40300603000	(2)
4	K1	Contactor	SIEMENS	3RT6025-1AC20	24VAC 50/60Hz	1	YE00602502600	
5	K2	Contactor	SIEMENS	3RT6025-1AC20	24VAC 50/60Hz	1	YE00602502600	
6	K3	Contactor	SIEMENS	3RT6018-1AB02	24VAC 50/60Hz	1	YE00601802600	
7	K4	Contactor	SIEMENS	3RT6016-1AB01	24VAC 50/60Hz	1	YE00601602500	
8		Auxiliary Contactor	SIEMENS	3RH6911-1HA11	1NC+1NO	1	YE00691100100	
9	K5	Contactor	SIEMENS	3RT6015-1AB02	24VAC 50/60Hz	1	YE00601502600	(2)
10	K6	Contactor	SIEMENS	3RT6027-1AC20	24VAC 50/60Hz	1	YE00602702600	(4)
11	K8	Middle relay	Honeywell	GR-2C-AC24V	24VAC	1	YE03022400300	
12	K8	Middle relay	Honeywell	GR-4C-AC24V	24VAC	1	YE03042400300	(4)
13	K9	Safety relay	PILZ	PN0Zx2.8P	24V AC/DC	1	YE04023000000	(4)
14	F1	Overload relay	SIEMENS	3RU6126-4AB0	11-16A	1	YE01260110000	
15	K7	Middle relay	Honeywell	GR-2C-AC24V	24VAC	1	YE03022400300	
16	Q4	Circuit breaker	TECO	BM-63C/2003S 2P	3A	1	YE40200203000	
17	Q5	Circuit breaker	TECO	BM-63C/1006S 1P	6A	1	YE40100600100	
18	T	Transformer		IN=400V/4.15V OUT=24V	120VA	1	YE70040006600	Delete
19	T	Transformer	-----	IN=400V/4.15V OUT=24V	80VA	1	YE70040006500	New
20	T	Transformer	-----	IN=400V/4.15V OUT=24V	120VA	1	YE70040006600	(4) New
21	X1	Terminal board	HONEYWELL	GK6	6mm ²	3	YE60000603200	
22			HONEYWELL	GK6PE	6mm ² PE	1	YE60000603500	
23	X2	Terminal board	HONEYWELL	SK2.5	2.5mm ²	6	YE60002503200	
24			HONEYWELL	GK2.5PE	2.5mm ² PE	1	YE60002503400	
25	X3	Terminal board	HONEYWELL	SK4	4mm ²	2	YE60000403200	
Ver.E Notes: (1)Means it's not the material inside the control box.(2)Means optional accessories of dedusting motor.(3)Optional accessories of full-receive alarm device.(4)Stand for optional safety relay.								
			Drawer	Version	Title		Drawing NO.	
			Designer	Approved by	SG-3048		SG-3048-CE-400V-0-5	
			Proofread by		Electrical Components List 1		Standard	Scale
			Checked by	Date			CE	Page 5
			Modified by	20200810			Totally	Page 6
			Modify date				Voltage	Pages
			After modification				Frequency	3Φ400V
			Before modification					50HZ
1	2	3	4	5	6	7	8	



信易電熱機械股份有限公司
Shini Plastics Technologies, Inc.

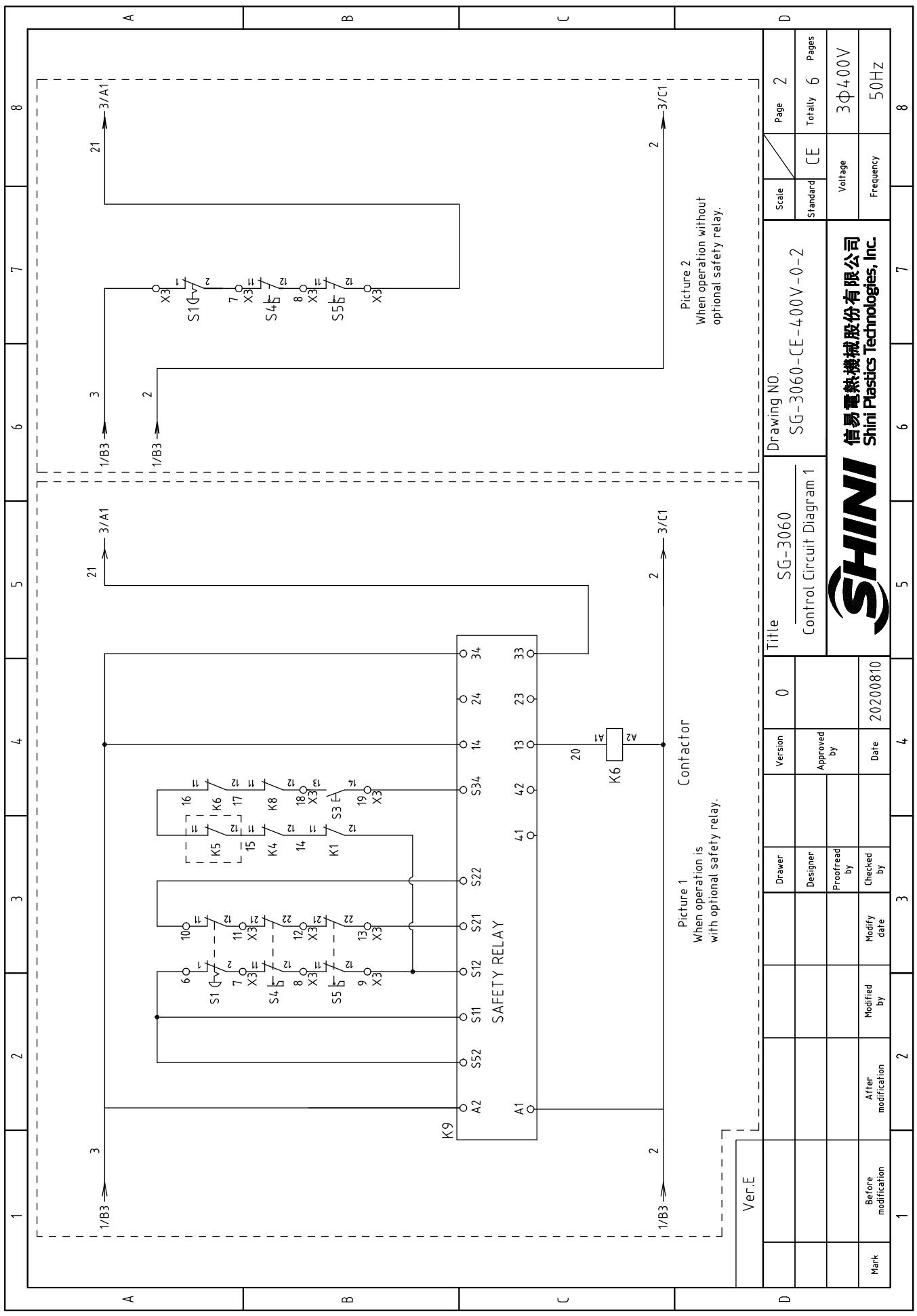
1	2		3	4	5	6		7	8
NO.	Symbol	Name	Manufacturer	Type	Specification	Number	Material number	Remark	Remark
26			HONEYWELL	SK2.5	2.5mm ²	19	YE60002503200		
27			HONEYWELL	GK2.5PE	2.5mm ² PE	1	YE60002503400		
28			HONEYWELL	SK2.5	2.5mm ²	5	YE60002503200		(2)
29			HONEYWELL	GK2.5PE	2.5mm ² PE	1	YE60002503400		(2)
30			HONEYWELL	SK2.5	2.5mm ²	4	YE60002503200		(3)
31			HONEYWELL	SK2.5	2.5mm ²	8	YE60002503200		(4)
32	X10	Metal connector	SHINI	PLT-254-PM	4P	1	YE68025400000		(1)(3)
33		Metal connector	-----	PLT-254-RF	4P	1	YE68025400100		(1)(3)
34	PCB	PCB	YUYUN	AB-02	24VAC	1	YE80022400100		
35	S1	Emergency stop button	SCHNEIDER	XB2BS542C	400VAC	1	YE11254200000		(1)
36	S2	Contact block	SCHNEIDER	ZB2BE102C	1NC	1	YE00210203100		(1)(4)
37	S2	Stop button	SCHNEIDER	XB2BA22C	400VAC	1	YE11222000000		(1)
38	S3,H1	Start button (with light)	SCHNEIDER	XB2BW33B1C	24VAC	1	YE11233100000		(1)
39		Contact block	SCHNEIDER	ZB2BE101C	1NO	1	YE00210103100		(1)(4)
40	S4, S5	Safety switch	SCHMERSRC	AZ15-02ZVRK-14.76	AZ-15	2	YE1614.7600100		(1)
41	S4, S5	Safety switch	SCHMERSRC	AZ16-02ZVRK-14.76	AZ-16	2	YE1614.7600000		(1)(4)
42		Operation parts AZ17-B6	-----	-----	AZ-17	2	YE16176000000		(1)
43	H2	Three color alarm light	SHINI	Red, green, yellow lights + buzzer	24VAC	1	BL90002401520		(1)
44	H3	Buzzer	TEND	EA-2	24VAC	1	YE84.240200000		(1)(3)
45	MS	Material level switch	SIPAI	SR-80	24VAC	1	YE15802400100		(1)(3)
46	TA2	Current transformer	YUYUN	-----	5-100A	1	-----		Come with circuit board
47	PA	Ammeter	SFIM	DH-670	50A	1	YE25675000000		(1)
48	M1	Granulating motor	-----	11KW	400V 50Hz	1	-----		(1)
49	M2	Solution blower	-----	0.55KW	400V 50Hz	1	-----		(1)
50	M3	Dust-removing blower	-----	0.25KW	400V 50Hz	1	-----		(1)(2)
<p>Ver.E Notes: (1)Means it's not the material inside the control box.(2)Means optional accessories of dedusting motor.(3)Optional accessories of full-receive alarm device.(4)Stand for optional safety relay.</p>									
			Drawer	Version	Title		Drawing NO.		Scale
			Designer	Approved by	SG-3048		SG-3048-CE-400V-0-6		Standard
			Proofread by	Date	Electrical Components List 2		CE		Totally
			Checked by	20200810	SHINI		Voltage		Page
Mark			Before modification	Modified by	信易電熱機械股份有限公司 Shini Plastics Technologies, Inc.		Frequency		Pages
1	2	3	4	5	6	7	8	9	10



Ver.E
Main Circuit Diagram

D	Scale	Page 1	Page
		Totally 6	
D	Standard	CE	Voltage
		SG-3060-CE-400V-0-1	
D	Title	Drawing No.	Frequency
D	Version	Approved by	Date
D	Designer	Proofread by	Modified by
D	Checked by	Modify date	After modification
D	Mark	Before modification	Ver.E





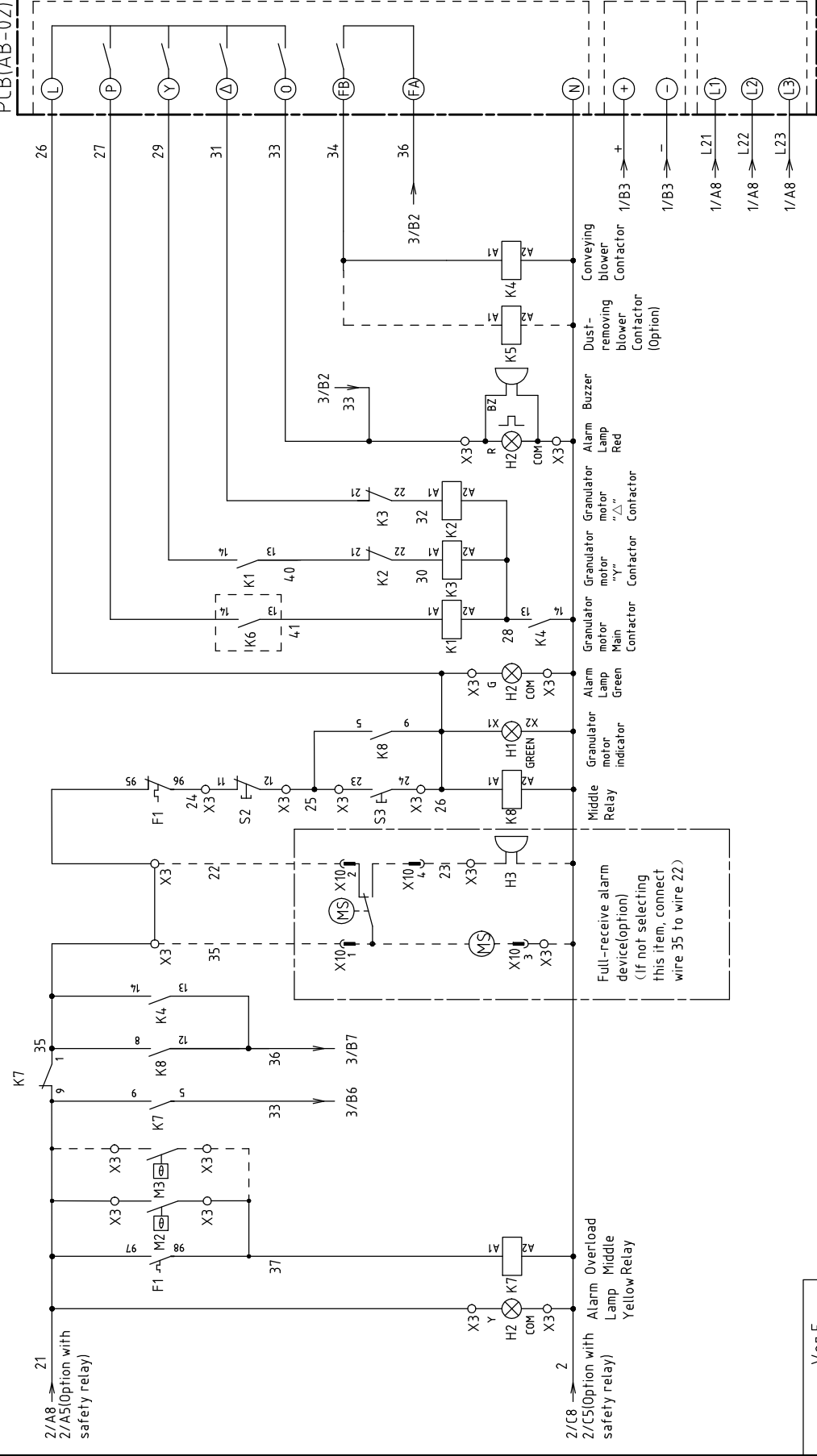
Picture 1
When operation is
with optional safety relay.

Picture 2
When operation without
optional safety relay.

Ver.E	Title		Drawing NO.		Scale	Page
	Control Circuit Diagram 1		SG-3060-CE-4.00V-0-2		Standard	Totally 6 Pages
Mark	Before modification	Modified by	Checked by	Date	Voltage	Frequency
	After modification	Modified date	20200810			
1		3		6		8
2		4		7		8

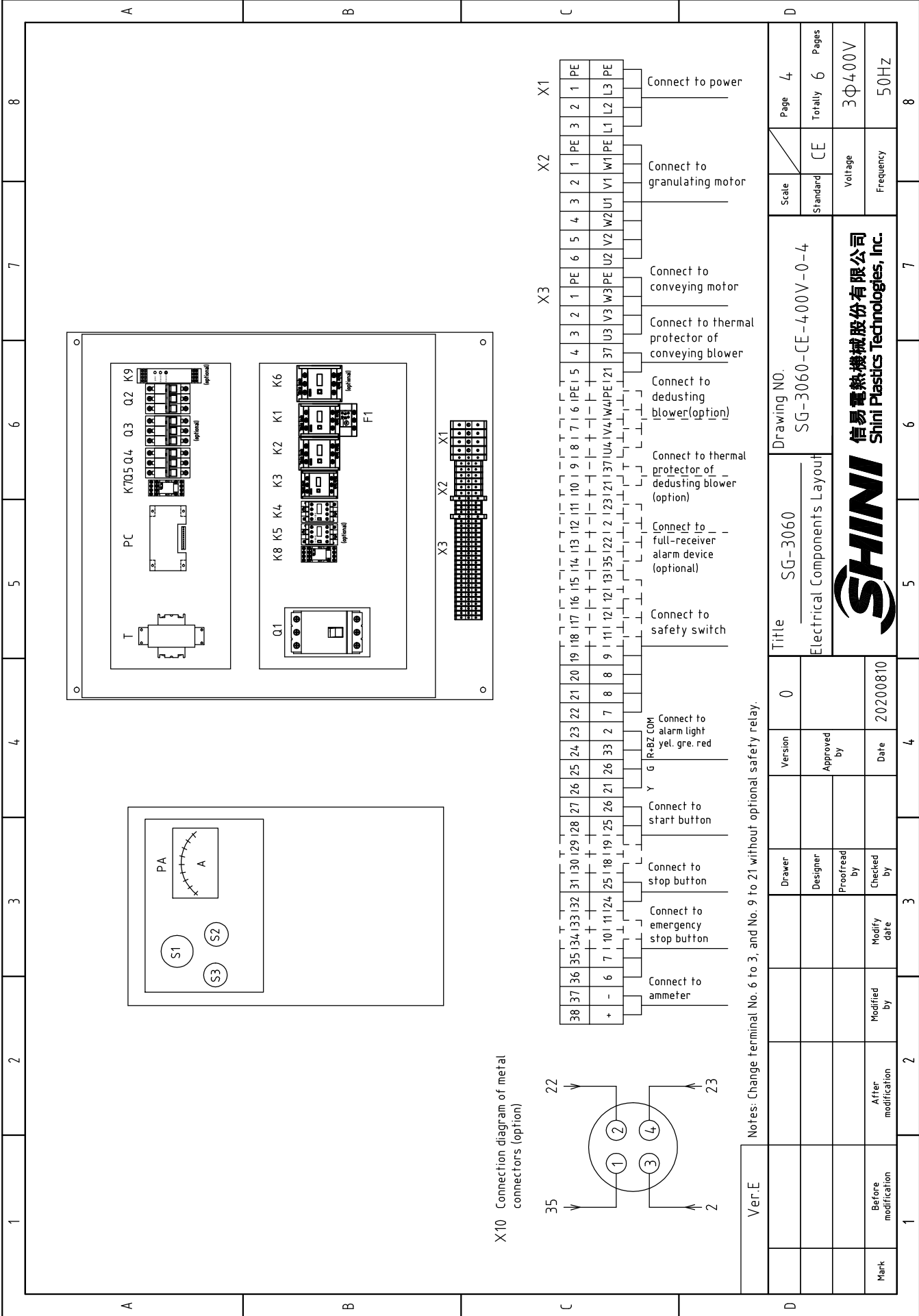


PCB(AB-02)

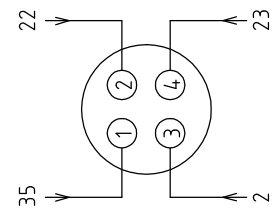


Ver.E	Mark	Before modification	After modification	Modified by	Modify date	Checked by	Date	20200810	Approved by	Version	0	Title	Drawing No.		Scale	Page
		SG-3060	SG-3060-CE-400V-0-3										Standard	CE		
1	2	3	4	5	6	7	8	Voltage		3Φ400V		Frequency		50HZ		






X10 Connection diagram of metal connectors (optional)



Ver.E	Notes: Change terminal No. 6 to 3, and No. 9 to 21 without optional safety relay.				Scale	Page
	38	37	36	35	Standard	Totally 6
+	6	7	10	11	CE	Pages
+	10	11	12	13	Voltage	3Φ4.00V
+	11	12	13	14	Frequency	50HZ
+	12	13	14	15	Drawing NO.	
+	13	14	15	16	SG-3060-CE-4.00V-0-4	
+	14	15	16	17	Electrical Components Layout	
+	15	16	17	18	SHINI 信易電熱機械股份有限公司 Shini Plastics Technologies, Inc.	
+	16	17	18	19	Title	
+	17	18	19	20	SG-3060	
+	18	19	20	21	Version	
+	19	20	21	22	0	
+	20	21	22	23	Approved by	
+	21	22	23	24	Date	
+	22	23	24	25	20200810	
+	23	24	25	26	Checked by	
+	24	25	26	27	Modified by	
+	25	26	27	28	Modify date	
+	26	27	28	29	2	
+	27	28	29	30	3	
+	28	29	30	31	4	
+	29	30	31	32	8	
+	30	31	32	33	7	
+	31	32	33	34	6	
+	32	33	34	35	5	
+	33	34	35	36	8	
+	34	35	36	37	7	
+	35	36	37	38	8	

1		2		3		4		5		6		7		8	
NO.	Symbol	Name	Manufacturer	Type	Specification	Number	Material number	Remark							
1	Q1	Break interlock	ABB	A1A125TMF60	60A	1	YE41106200000								
2	Q2	Circuit breaker	TECO	BM-63C	6A	1	YE40300603000								
3	Q3	Circuit breaker	TECO	BM-63C	6A	1	YE40300603000	(2)							
4	K1	Contactor	SIEMENS	3RT6026-1AC20	24V 50/60Hz	1	YE00602602600								
5	K2	Contactor	SIEMENS	3RT6026-1AC20	24V 50/60Hz	1	YE00602602600								
6	K3	Contactor	SIEMENS	3RT6025-1AC20	24V 50/60Hz	1	YE00602502600								
7	K4	Contactor	SIEMENS	3RT6016-1AB01	24V 50/60Hz	1	YE00601602500								
8		Auxiliary Contactor	SIEMENS	3RH6911-1HA11	1NC+1NO	1	YE00691100100								
9	K5	Contactor	SIEMENS	3RT6015-1AB02	24V 50/60Hz	1	YE00601502600	(2)							
10	K6	Contactor	SIEMENS	3RT6028-1AC20	24V 50/60Hz	1	YE00602802600	(4)							
11	K8	Middle relay	Honeywell	GR-2C-AC24V	24VAC	1	YE03022400300								
12	K8	Middle relay	Honeywell	GR-4C-AC24V	24VAC	1	YE03042400300	(4)							
13	K9	Safety relay	PILZ	PN0Zx2.8P	24V AC/DC	1	YE04023000000	(4)							
14	F1	Overload relay	SIEMENS	3RU6126-4BB0	14-20A	1	YE0126014-0000								
15	K7	Middle relay	Honeywell	GR-2C-AC24V	24VAC	1	YE03022400300								
16	Q4	Circuit breaker	TECO	BM-63C/2003S 2P	3A	1	YE40200203000								
17	Q5	Circuit breaker	TECO	BM-63C/1006S 1P	6A	1	YE40100600100								
18	T	Transformer	-----	IN=400V/4.15V OUT=24V	120VA	1	YE70040006600								
19	X1	Terminal board	HONEYWELL	GK10	10mm ²	3	YE60001003200								
20			HONEYWELL	GK10PE	10mm ² PE	1	YE60001003500								
21	X2	Terminal board	HONEYWELL	SK4	4mm ²	6	YE60000403200								
22			HONEYWELL	GK4PE	4mm ² PE	1	YE60000403500								
23	X3	Terminal board	HONEYWELL	GK6	6mm ²	2	YE60000603200								
24			HONEYWELL	SK2.5	2.5mm ²	19	YE60002503200								
25			HONEYWELL	GK2.5PE	2.5mm ² PE	1	YE60002503400								
Ver.E									Notes: (1)Means it's not the material inside the control box.(2)Means optional accessories of dedusting motor.(3)Optional accessories of full-receive alarm device.(4)Stand for optional safety relay.						
		Title		Drawing NO.		Scale		Page		Standard		Voltage		Frequency	
		SG-3060		SG-3060		CE		5		CE		3Φ4.00V		50HZ	
		Electrical Components List 1		SG-3060-CE-4.00V-0-5		CE		Totally 6		CE		Pages		8	
Mark	Before modification	After modification	Modified by	Modify date	Checked by	Proofread by	Designer	Drawer	Version	0	SHINI Shini Plastics Technologies, Inc.				
1				20200810											

1	2		3	4	5	6	7	8
NO.	Symbol	Name	Manufacturer	Type	Specification	Number	Material number	Remark
26			HONEYWELL	SK2.5	2.5mm ²	5	YE60002503200	(2)
27			HONEYWELL	GK2.5PE	2.5mm ² PE	1	YE60002503400	(2)
28			HONEYWELL	SK2.5	2.5mm ²	4	YE60002503200	(3)
29			HONEYWELL	SK2.5	2.5mm ²	8	YE60002503200	(4)
30	X10	Metal connector	SHINI	PLT-254PM	4P	1	YE68025400000	(1)(3)
31		Metal connector	SHINI	PLT-254RF	4P	1	YE68025400100	(1)(3)
32	PCB	PCB	YUYUN	AB-02	24VAC	1	YE80022400100	
33	S1	Emergency stop button	SCHNEIDER	XB2BS542C	400VAC	1	YE11254200000	(1)
34		Contact block	SCHNEIDER	ZB2BE102C	1NC	1	YE00210203100	(1)(4)
35	S2	Stop button	SCHNEIDER	XB2BA22C	400VAC	1	YE11222000000	(1)
36	S3,H1	Start button (with light)	SCHNEIDER	XB2BW33B1C	24VAC	1	YE11233100000	(1)
37		Contact block	SCHNEIDER	ZB2BE101C	1NO	1	YE00210103100	(1)(4)
38	S4, S5	Safety switch	SCHMERSRC	AZ15-02ZVRK-14.76	AZ-15	2	YE1614.7600100	(1)
39	S4, S5	Safety switch	SCHMERSRC	AZ16-02ZVRK-14.76	AZ-16	2	YE1614.7600000	(1)(4)
40		Operation parts AZ17-B6	-----	-----	AZ-17	2	YE16176000000	(1)
41	H2	Three color alarm light	SHINI	Red, green, yellow lights + buzzer	24VAC	1	BL90002401520	(1)
42	H3	Buzzer	TEND	EA-2	24VAC	1	YE84240200000	(1)(3)
43	MS	Material level switch	SIPAI	SR-80	24VAC	1	YE15802400100	(1)(3)
44	TA2	Current transformer	YUYUN	-----	5-100A	1	-----	Come with circuit board
45	PA	Ammeter	SFIM	DH-670	50A	1	YE25675000000	(1)
46	M1	Granulating motor	-----	15KW	400V 50Hz	1	-----	(1)
47	M2	Solution blower	-----	0.55KW	400V 50Hz	1	-----	(1)
48	M3	Dust-removing blower	-----	0.25KW	400V 50Hz	1	-----	(1)(2)
<p>Ver.E Notes: (1)Means it's not the material inside the control box.(2)Means optional accessories of dedusting motor.(3)Optional accessories of full-receive alarm device.(4)Stand for optional safety relay.</p>								
			Drawer	Version	Title		Scale	
			Designer	0	SG-3060		Drawing NO.	
			Proofread by	Approved by	Electrical Components List 2		Standard	
			Checked by	Date	SG-3060-CE-400V-0-6		CE	
			Modified by	20200810			Voltage	
			After modification				Frequency	
Mark	Before modification	Modified by	20200810	Date			3Φ400V	
1	2	3	4	5	6	7	8	
							信易電熱機械股份有限公司 Shini Plastics Technologies, Inc.	
					Title: SG-3060 Drawing NO.: SG-3060-CE-400V-0-6 Electrical Components List 2		Standard: CE Voltage: 3Φ400V Frequency: 50HZ	
					Version: 0 Approved by:		Page 6 Totality 6 Pages	