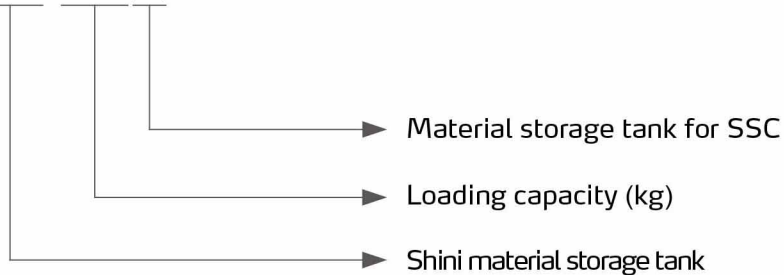


MST Series

■ Coding Principle

MST-XXX(S)



■ Features

- Made up of SUS201, durable service.
- The storage hopper MST is round and the storage hopper MST-S is square.
- The storage hopper MST-S is mainly used for screw conveyor.
- The material storage tank MST is equipped standard 1.5" European suction box



MST



MST-S

■ Application

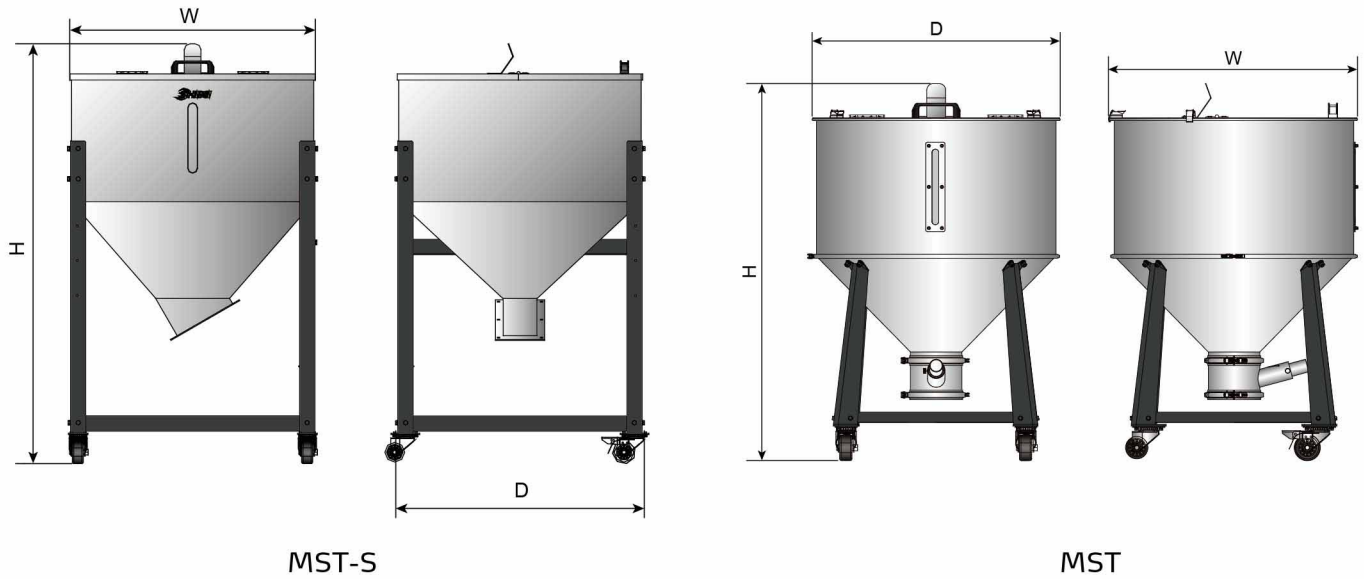
Mainly used for raw material storage, placed beside material room or IMM; Works with granulator to convey regrind material, ensuring instant reuse of recycled material.

■ Options

- All material contacted surfaces of the material storage tank MST are polished, and add "P" at the end of the model code.
- The material storage tank MST can select the European suction box or shut-off suction box of other specifications.

MST Series

Outline Drawings



MST-S

MST

Specifications

Model	Capacity (kg)*	Dimensions H × W × D (mm)	Weight (kg)
MST-50	50	990×580×580	28.5
MST-100	100	1100×750×750	32.5
MST-200	200	1170×910×910	43.5

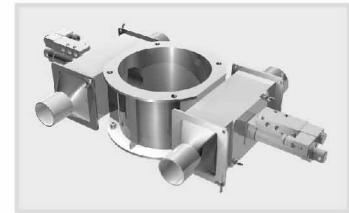
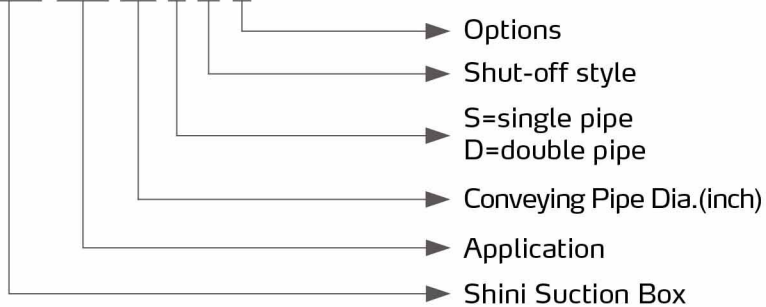
Model	Capacity (kg)*	Dimensions H × W × D (mm)	Weight (kg)
MST-100S	100	1180 × 615 × 615	52
MST-200S	200	1290 × 815 × 815	66
MST-300S	300	1540 × 930 × 930	80
MST-500S	500	1630 × 1240 × 1240	110

Notes: 1) "*" stands for above loading capacity is based on pellet material of 0.65kg/L (5.5lb/gal) in bulk density and 3-5mm(0.1~0.2inch) in diameter.
2) Special models can be customized.

SBU Series

■ Coding Principle

SBU-xxx-xx-x-V-x



SBU-160-63D-V

■ Features

- Special internal structure ensures smooth material conveying.
- Standard suction box with air-feeding hole, easy to use; shut-off suction box equipped with air feeding pipe to form closed conveying cycle.
- The suction box SBU-20/160 is made of Aluminum, with integrated design; The suction box SBU-50/100 is made of stainless steel.



SBU-20/160-S



SBU-20/160-D



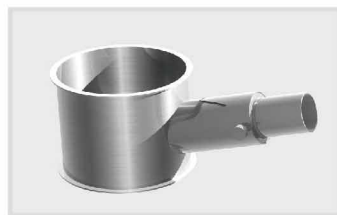
SBU-20/160-S-V

■ Application

The suction box SBU-20/160 is installed at the bottom of drying tank or other storage devices, and the suction box SBU-50/100 is installed at the bottom of material storage tank that can work with negative pressure conveying system to convey materials. Standard suction box is applicable for short distance conveying, while the shut-off suction box, which is equipped with material shutting off function, can prevent material remaining in pipe, moisture regain and pipe blockage during long distance conveying.



SBU-50/100-D



SBU-50/100-S



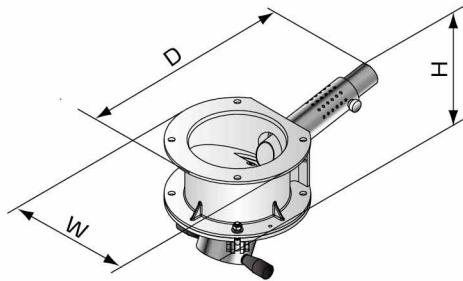
SBU-50/100-S-V

■ Options

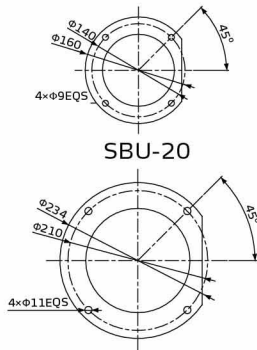
- Stainless steel is optional, add "S" at the end of the model code.
- If selecting stainless steel, parts contacting with raw material can be polished, add "P" at the end of model code.

SBU Series

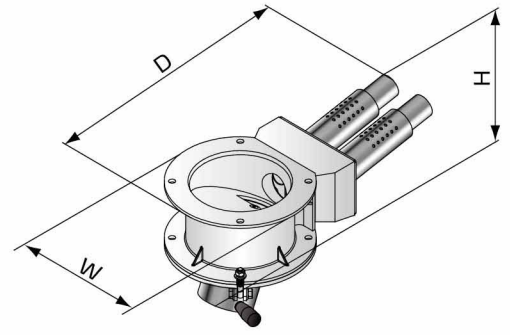
Outline Drawings



SBU-20/160-S



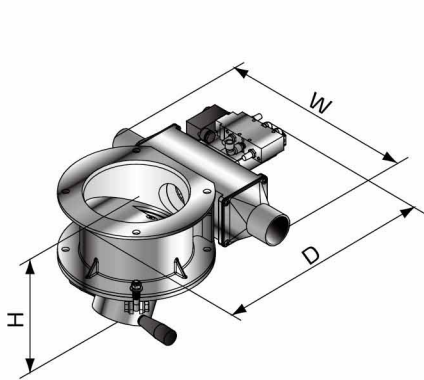
SBU-160



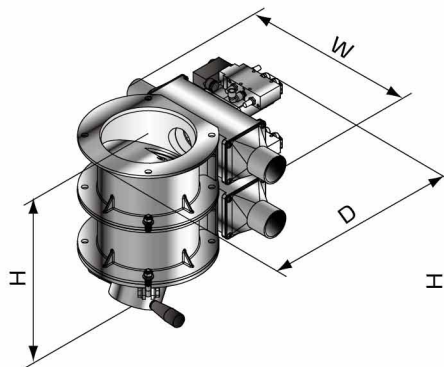
SBU-20/160-D

Model	H x W x D (mm)
SBU-20-38S	210x180x390
SBU-20-50S	210x180x390
SBU-160-38S	235x235x435
SBU-160-50S	235x235x450

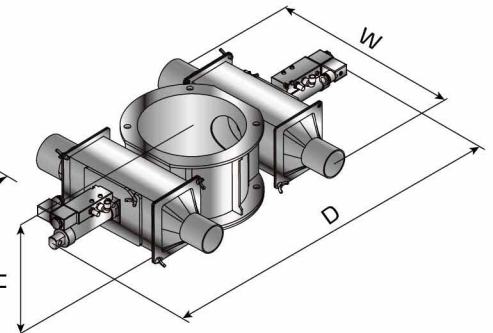
Model	H x W x D (mm)
SBU-20-38D	200x180x414
SBU-20-50D	200x180x414
SBU-160-38D	230x235x485
SBU-160-50D	230x235x480



SBU-20/160-S-V



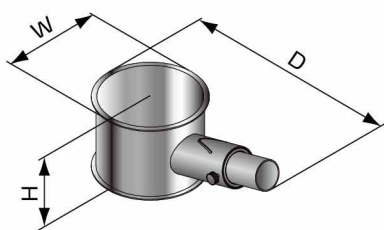
SBU-20/160-D-V



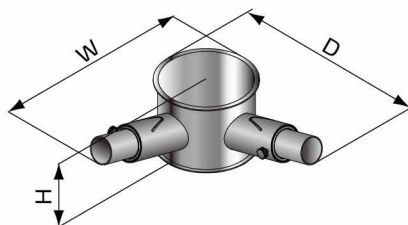
SBU-160-63D-V

Model	H x W x D (mm)
SBU-20-38S-V	200x330x370
SBU-20-50S-V	200x330x370
SBU-160-38S-V	230x330x440
SBU-160-50S-V	230x330x440

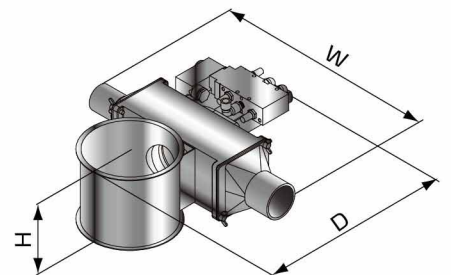
機型	H x W x D (mm)
SBU-20-38D-V	315x330x370
SBU-20-50D-V	315x330x370
SBU-160-38D-V	347x330x440
SBU-160-50D-V	347x330x440
SBU-160-63D-V	190x365x670



SBU-50/100-D



SBU-50/100-S



SBU-50/100-S-V

Model	H x W x D (mm)
SBU-50-38S	122x138x315
SBU-50-50S	122x138x315
SBU-100-38S	122x162x340
SBU-100-50S	122x162x340

Model	H x W x D (mm)
SBU-50-38D	122x315x315
SBU-50-50D	122x315x315
SBU-100-38D	122x340x340
SBU-100-50D	122x340x340

Model	H x W x D (mm)
SBU-50-38S-V	125x320x385
SBU-50-50S-V	125x320x385
SBU-100-38S-V	125x320x410
SBU-100-50S-V	125x320x410



■ Specifications

Collocated with SEHD

Model	SEHD-12-75	SEHD-100 and above
SBU	-20-38S	-160-38S
SBU	-20-50S	-160-50S
SBU	-20-38D	-160-38D
SBU	-20-50D	-160-50D
SBU	-	-160-63D

Collocated with SHD-U

Model	SHD-20U-120U	SHD-160U and above
SBU	-20-38S	-160-38S
SBU	-20-50S	-160-50S
SBU	-20-38D	-160-38D
SBU	-20-50D	-160-50D
SBU	-	-160-63D

Collocated with SDD

Model	SDD-160U/120H and below	SDD-230U/120H and above
SBU	-20-38S	-160-38S
SBU	-20-50S	-160-50S
SBU	-20-38D	-160-38D
SBU	-20-50D	-160-50D
SBU	-	-160-63D

Collocated with MST

Model	MST-50	MST-100-MST-200
SBU	-50-38S	-100-38S
SBU	-50-38D	-100-38D
SBU	-50-50S	-100-50S
SBU	-50-50D	-100-50D